

## 2.25-MHz 600-mA/1000-mA DUAL STEP-DOWN CONVERTER

 Check for Samples: [TPS62420-Q1](#)

### FEATURES

- Qualified for Automotive Applications
- High Efficiency: Up to 95%
- $V_{IN}$  Range From 2.5 V to 6 V
- 2.25-MHz Fixed Frequency Operation
- Output Current: 600 mA and 1000 mA
- Adjustable Output Voltage From 0.6 V to  $V_{IN}$
- EasyScale™ Optional One-Pin Serial Interface for Dynamic Output Voltage Adjustment
- Power Save Mode at Light Load Currents
- 180° Out of Phase Operation
- Output Voltage Accuracy in PWM Mode:  $\pm 1\%$
- Typical 32- $\mu$ A Quiescent Current for Both Converters
- 100% Duty Cycle for Lowest Dropout
- Available in a 10-Pin QFN (3x3mm)

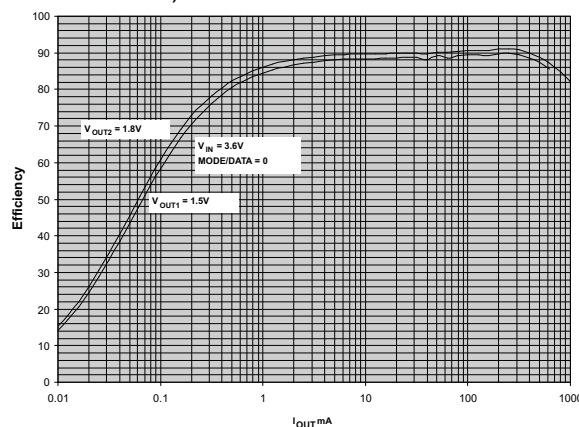
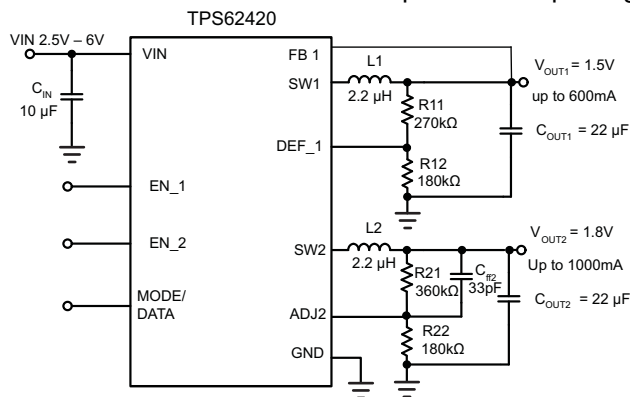
### DESCRIPTION

The TPS62420 device is a synchronous dual step-down dc-dc converter optimized for battery-powered portable applications. It provides two independent output voltage rails powered by 1-cell Li-Ion or 3-cell NiMH/NiCD batteries. The device is also suitable to operate from a standard 3.3-V or 5-V voltage rail.

With the EasyScale™ serial interface the output voltages can be modified during operation. It therefore supports Dynamic Voltage Scaling for low power DSP and processors.

The TPS62420 operates at 2.25-MHz fixed switching frequency and enters Power Save Mode operation at light load currents to maintain high efficiency over the entire load current range. For low-noise applications, the devices can be forced into fixed-frequency PWM mode by pulling the MODE/DATA pin high. In the shutdown mode, the current consumption is reduced to 1.2  $\mu$ A. The device allows the use of small inductors and capacitors to achieve a small solution size.

The TPS62420 is available in a 10-pin leadless package (3mmx3mm QFN).



### ORDERING INFORMATION<sup>(1)</sup>

$T_J$	PACKAGE <sup>(2)</sup>		ORDERABLE PART NUMBER	TOP-SIDE MARKING
-40°C to 125°C	QFN – DRC	Reel of 3000	TPS62420QDRCRQ1	OEP

- (1) For the most current package and ordering information, see the Package Option Addendum at the end of this document, or see the TI web site at [www.ti.com](http://www.ti.com).
- (2) Package drawings, thermal data, and symbolization are available at [www.ti.com/packaging](http://www.ti.com/packaging).



Please be aware that an important notice concerning availability, standard warranty, and use in critical applications of Texas Instruments semiconductor products and disclaimers thereto appears at the end of this data sheet.

## ABSOLUTE MAXIMUM RATINGS

over operating free-air temperature range (unless otherwise noted)<sup>(1)</sup>

	VALUE	UNIT
Input voltage range on $V_{IN}$ <sup>(2)</sup>	-0.3 to 7	V
Voltage range on EN, MODE/DATA, DEF_1	-0.3 to $V_{IN} + 0.3, \leq 7$	V
Maximum current into MODE/DATA	500	$\mu$ A
Voltage on SW1, SW2	-0.3 to 7	V
Voltage on ADJ2, FB1	-0.3 to $V_{IN} + 0.3, \leq 7$	V
$T_{J(max)}$ Maximum junction temperature	150	$^{\circ}$ C
$T_{stg}$ Storage temperature range	-65 to 150	$^{\circ}$ C

- (1) Stresses beyond those listed under *absolute maximum ratings* may cause permanent damage to the device. These are stress ratings only, and functional operation of the device at these or any other conditions beyond those indicated under *recommended operating conditions* is not implied. Exposure to absolute–maximum–rated conditions for extended periods may affect device reliability.
- (2) All voltage values are with respect to network ground terminal.

## DISSIPATION RATINGS

PACKAGE	$R_{\theta JA}$	POWER RATING FOR $T_A \leq 25^{\circ}\text{C}$	DERATING FACTOR ABOVE $T_A = 25^{\circ}\text{C}$
DRC	49 $^{\circ}$ C/W	2050 mW	21 mW/ $^{\circ}$ C

## RECOMMENDED OPERATING CONDITIONS

over operating free-air temperature range (unless otherwise noted)

	MIN	MAX	UNIT
$V_{IN}$ Supply voltage	2.5	6	V
Output voltage range for adjustable voltage	0.6	$V_{IN}$	V
$T_J$ Operating junction temperature	-40	125	$^{\circ}$ C

**ELECTRICAL CHARACTERISTICS**
 $V_{IN} = 3.6V$ ,  $V_{OUT} = 1.8V$ ,  $EN = V_{IN}$ ,  $MODE = GND$ ,  $L = 2.2\mu H$ ,  $C_{OUT} = 20\mu F$ ,  $T_J = T_A = -40^\circ C$  to  $125^\circ C$  (unless otherwise noted). TYP values are at  $T_A = 25^\circ C$ 

PARAMETER		TEST CONDITIONS	MIN	TYP	MAX	UNIT
<b>SUPPLY CURRENT</b>						
$V_{IN}$	Input voltage range		2.5		6.0	V
$I_Q$	Operating quiescent current	One converter, $I_{OUT} = 0mA$ . PFM mode enabled (Mode = 0) device not switching, EN1 = 1 OR EN2 = 1		19	29	$\mu A$
		Two converter, $I_{OUT} = 0mA$ . PFM mode enabled (Mode = 0) device not switching, EN1 = 1 AND EN2 = 1		32	48	$\mu A$
		$I_{OUT} = 0mA$ , MODE/DATA = GND, for one converter, $V_{OUT} 1.575V^{(1)}$		23		$\mu A$
		$I_{OUT} = 0mA$ , MODE/DATA = $V_{IN}$ , for one converter, $V_{OUT} 1.575V^{(1)}$		3.6		mA
$I_{SD}$	Shutdown current	EN1, EN2 = GND, $V_{IN} = 3.6V^{(2)}$		1.2	3	$\mu A$
		EN1, EN2 = GND, $V_{IN}$ ramped from 0V to $3.6V^{(3)}$		0.1	1	
$V_{UVLO}$	Undervoltage lockout threshold	Falling		1.5	2.35	V
		Rising			2.4	
<b>ENABLE EN1, EN2</b>						
$V_{IH}$	High-level input voltage, EN1, EN2		1.2		$V_{IN}$	V
$V_{IL}$	Low-level input voltage, EN1, EN2		0		0.4	V
$I_{IN}$	Input bias current, EN1, EN2	EN1, EN2 = GND or $V_{IN}$		0.05	1.0	$\mu A$
<b>DEF_1 INPUT</b>						
$I_{IN}$	Input bias current DEF_1	DEF_1 = GND or $V_{IN}$		0.01	1.0	$\mu A$
<b>MODE/DATA</b>						
$V_{IH}$	High-level input voltage, MODE/DATA		1.2		$V_{IN}$	V
$V_{IL}$	Low-level input voltage, MODE/DATA		0		0.4	V
$I_{IN}$	Input bias current, MODE/DATA	MODE/DATA = GND or $V_{IN}$		0.01	1.0	$\mu A$
$V_{OH}$	Acknowledge output voltage high	Open drain, via external pullup resistor			$V_{IN}$	V
$V_{OL}$	Acknowledge output voltage low	Open drain, sink current $500\mu A$	0		0.4	V
<b>INTERFACE TIMING</b>						
$t_{Start}$	Start time		2			$\mu s$
$t_{H\_LB}$	High time low bit, logic 0 detection	Signal level on MODE/DATA pin is > 1.2V	2		200	$\mu s$
$t_{L\_LB}$	Low time low bit, logic 0 detection	Signal level on MODE/DATA pin < 0.4V	2 x $t_{H\_LB}$		400	$\mu s$
$t_{L\_HB}$	Low time high bit, logic 1 detection	Signal level on MODE/DATA pin < 0.4V	2		200	$\mu s$
$t_{H\_HS}$	High time high bit, logic 1 detection	Signal level on MODE/DATA pin is > 1.2V	2 x $t_{L\_HS}$		400	$\mu s$
$T_{EOS}$	End of stream	$T_{EOS}$	2			$\mu s$
$t_{ACKN}$	Duration of acknowledge condition (MODE/DATA line pulled low by the device)	$V_{IN} 2.5V$ to $6V$	400		520	$\mu s$
$t_{valACK}$	Acknowledge valid time				2	$\mu s$
$t_{timeout}$	Timeout for entering power save mode	MODE/DATA Pin changes from high to low			520	$\mu s$

(1) Device is switching with no load on the output,  $L = 3.3\mu H$ , value includes losses of the coil

(2) These values are valid after the device has been already enabled one time (EN1 or EN2 = high) and supply voltage  $V_{IN}$  has not powered down.

(3) These values are valid when the device is disabled (EN1 and EN2 low) and supply voltage  $V_{IN}$  is powered up. The values remain valid until the device has been enabled first time (EN1 or EN2 = high). After first enable, Note 3 becomes valid.

**ELECTRICAL CHARACTERISTICS (continued)**

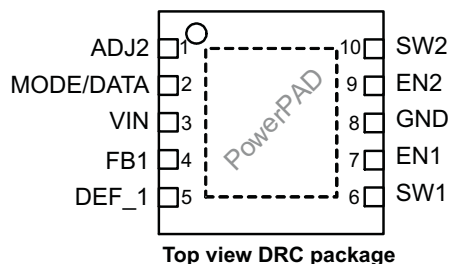
$V_{IN} = 3.6V$ ,  $V_{OUT} = 1.8V$ ,  $EN = V_{IN}$ ,  $MODE = GND$ ,  $L = 2.2\mu H$ ,  $C_{OUT} = 20\mu F$ ,  $T_J = T_A = -40^{\circ}C$  to  $125^{\circ}C$  (unless otherwise noted). TYP values are at  $T_A = 25^{\circ}C$

PARAMETER		TEST CONDITIONS	MIN	TYP	MAX	UNIT			
<b>POWER SWITCH</b>									
$R_{DS(ON)}$	P-channel MOSFET on-resistance, converter 1,2	$V_{IN} = V_{GS} = 3.6V$		280	620	mΩ			
$I_{LK\_PMOS}$	P-channel leakage current	$V_{DS} = 6.0V$			1	μA			
$R_{DS(ON)}$	N-channel MOSFET on-resistance converter 1,2	$V_{IN} = V_{GS} = 3.6V$		200	450	mΩ			
$I_{LK\_SW1/SW2}$	Leakage Current into SW1/SW2 Pin	Includes N-Chanel leakage currnet, $V_{IN} = open$ , $V_{SW} = 6.0V$ , $EN = GND^{(4)}$		6	7.5	μA			
$I_{LIMF}$	Forward current limit PMOS and NMOS	OUT1, 600 mA	$2.5V \leq V_{IN} \leq 6.0V$			0.85	1.0	1.15	A
		OUT2, 1000 mA		1.19	1.4	1.61			
$T_{SD}$	Thermal shutdown	Increasing junction temperature		150		°C			
	Thermal shutdown hysteresis	Decreasing junction temperature		20		°C			
<b>OSCILLATOR</b>									
fSW	Oscillator frequency	$2.5V \leq V_{IN} \leq 6.0V$	2.0	2.25	2.5	MHz			
<b>OUTPUT</b>									
$V_{OUT}$	Adjustable output vottage range		0.6		$V_{IN}$	V			
$V_{ref}$	Reference voltage			600		mV			
$V_{OUT (PFM)}$	DC output voltage accuracy PFM mode, adjustable and fixed output voltage <sup>(5)</sup>	Voltage positioning active, $MODE/DATA = GND$ , device operating in PFM mode, $V_{IN} = 2.5V$ to $5.0V$ <sup>(6)</sup> <sup>(7)</sup>	-1.5%	$1.01 \times V_{OUT}$	2.5%				
$V_{OUT}$	DC output voltage load regulation	$MODE/DATA = GND$ ; device operating in PWM Mode, $V_{IN} = 2.5V$ to $6.0V$ <sup>(7)</sup>	-1%	0%	1%				
		$V_{IN} = 2.5V$ to $6.0V$ , $MODE/DATA = V_{IN}$ , Fixed PWM operation, $0mA < I_{OUT} < I_{OUTMAX}$ <sup>(8)</sup>	-1%	0%	1%				
		PWM operation mode			0.5	%/A			
$t_{Start up}$	Start-up time	Activation time to start switching <sup>(9)</sup>		170		μs			
$t_{Ramp}$	$V_{OUT}$ ramp-up time	Time to ramp from 5% to 95% of $V_{OUT}$		750		μs			

- (4) At pins SW1 and SW2 an internal resistor of 1MΩ is connected to GND
- (5) Output voltage specification does not include tolerance of external voltage programming resistors
- (6) Configuration L typ 2.2μH,  $C_{OUT}$  typ 20μF, see parameter measurement information, the output voltage ripple depends on the effective capacitance of the output capacitor, larger output capacitors lead to tighter output voltage tolerance
- (7) In Power Save Mode, PWM operation is typically entered at  $I_{PSM} = V_{IN}/32\Omega$ .
- (8) For  $V_{OUT} > 2.2V$ ,  $V_{IN min} = V_{OUT} + 0.3V$
- (9) This time is valid if one converter turns from shutdown mode ( $EN2 = 0$ ) to active mode ( $EN2 = 1$ ) AND the other converter is already enabled (e.g.,  $EN1 = 1$ ). In case both converters are turned from shutdown mode ( $EN1$  and  $EN2 = low$ ) to active mode ( $EN1$  and/or  $EN2 = 1$ ) a value of typ 80 μs for ramp up of internal circuits needs to be added. After  $t_{Start}$  the converter starts switching and ramps  $V_{OUT}$ .

## DEVICE INFORMATION

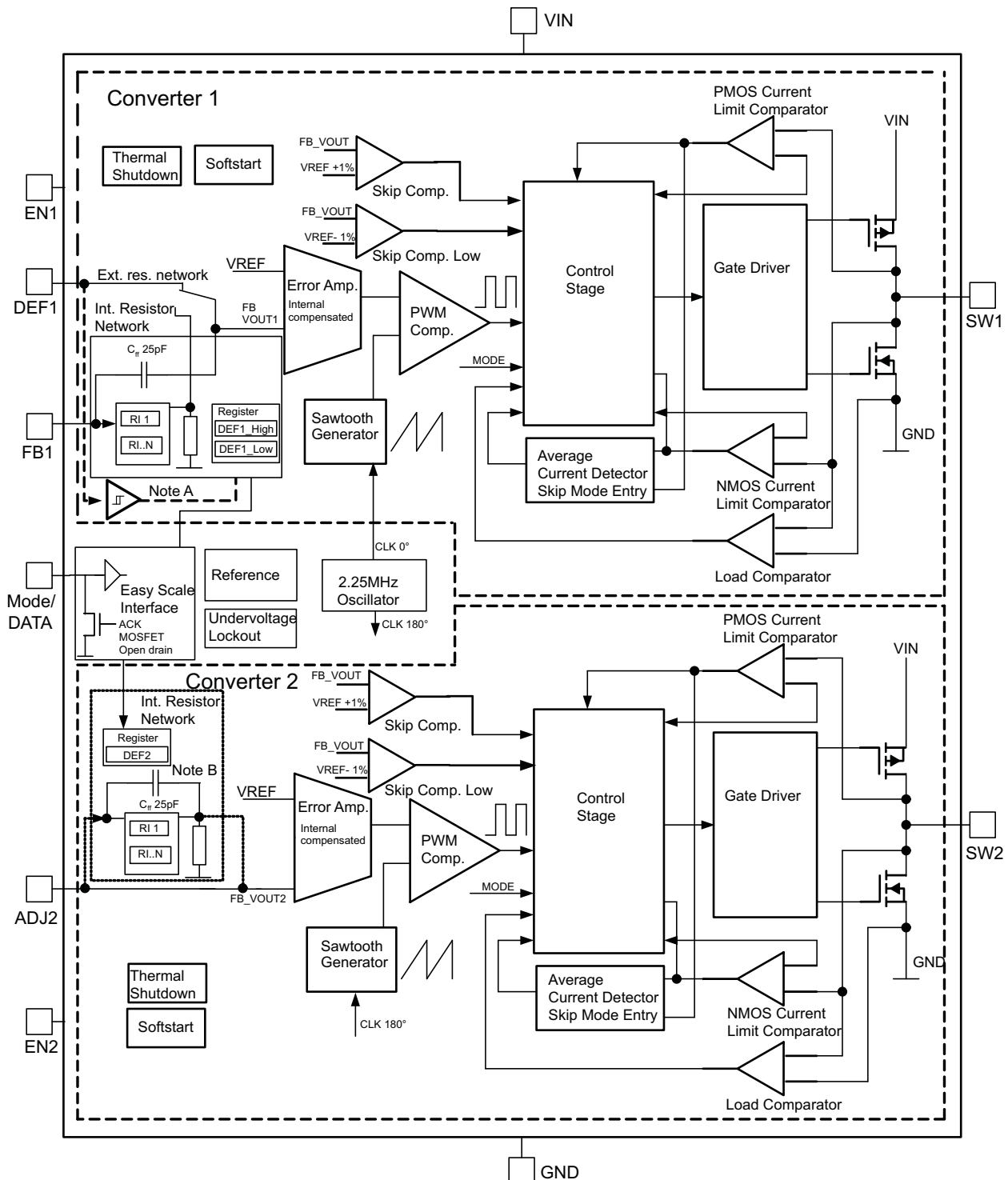
### PIN ASSIGNMENTS



### TERMINAL FUNCTIONS

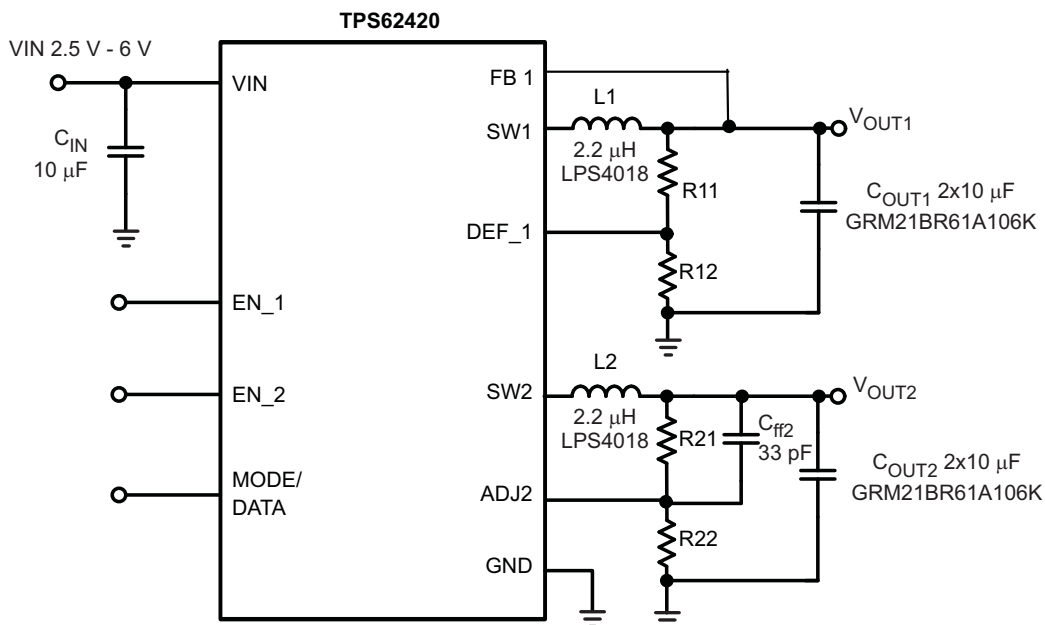
TERMINAL		I/O	DESCRIPTION
NAME	NO. (QFN)		
ADJ2	1	I	Input to adjust output voltage of converter 2. In adjustable version (TPS62420) connect a external resistor divider between VOUT2, this pin and GND to set output voltage between 0.6V and VIN. If EasyScale™ Interface is used for converter 2, this pin must be directly connected to the output.
MODE/DATA	2	I	This pin has two functions: <ol style="list-style-type: none"> <li>1. Operation Mode selection: With low level, Power Save Mode is enabled where the device operates in PFM mode at light loads and enters automatically PWM mode at heavy loads. Pulling this PIN to high forces the device to operate in PWM mode over the whole load range.</li> <li>2. EasyScale™ Interface function: One wire serial interface to change the output voltage of both converters. The pin has an open drain output to provide an acknowledge condition if requested. The current into the open drain output stage may not exceed 500 µA. The interface is active if either EN1 or EN2 is high.</li> </ol>
VIN	3	I	Supply voltage, connect to VBAT, 2.5 V to 6 V
FB1	4	I	Direct feedback voltage sense input of converter 1, connect directly to Vout 1. An internal feed forward capacitor is connected between this pin and the error amplifier. In case of fixed output voltage versions or when the Interface is used, this pin is connected to an internal resistor divider network.
DEF_1	5	I/O	This pin defines the output voltage of converter 1. The pin acts in TPS62420 as an analog input for output voltage setting via external resistors. In fixed default output voltage versions this pin is a digital input to select between two fixed default output voltages.  In TPS62420 an external resistor network needs to be connected to this pin to adjust the default output voltage.
SW1	6		Switch pin of Converter 1. Connected to inductor.
EN1	7	I	Enable input for Converter 1, active high
GND	8	I	GND for both converters, this pin should be connected with the exposed thermal pad
EN2	9	I/O	Enable Input for Converter 2, active high
SW2	10		Switch pin of Converter 2. Connected to inductor.
Thermal pad			Connect to GND

FUNCTIONAL BLOCK DIAGRAM



- A. In fixed output voltage version, the PIN DEF\_1 is connected to an internal digital input and disconnected from the error amplifier
- B. To set the output voltage of Converter 2 via EasyScale Interface, ADJ2 pin must be directly connected to VOUT2

PARAMETER MEASUREMENT INFORMATION



## TYPICAL CHARACTERISTICS

### TABLE OF GRAPHS

	FIGURE NO.
Efficiency $V_{OUT1} = 1.1V$	1
Efficiency $V_{OUT1} = 1.575V$	2
Efficiency $V_{OUT2} = 1.8V$	3
Efficiency $V_{OUT2} = 3.3V$	4
Efficiency vs $V_{IN}$	5, 6
DC Output Accuracy $V_{OUT1} = 1.1V$	7
DC Output Accuracy $V_{OUT2} = 3.3V$	8
$F_{OSC}$ vs $V_{IN}$	9
$I_q$ for one converter	10
$I_q$ for both converters, not switching	11
$R_{DSON}$ PMOS vs $V_{IN}$	12
$R_{DSON}$ NMOS vs $V_{IN}$	13
Light Load Output Voltage Ripple in Power Save Mode	14
Output Voltage Ripple in Forced PWM Mode	15
Output Voltage Ripple in PWM Mode	16
Forced PWM/ PFM Mode Transition	17
Load Transient Response PFM/PWM	18
Load Transient Response PWM Operation	19
Line Transient Response	20
Startup Timing One Converter	21
Typical Operation $V_{IN} = 3.6V$ , $V_{OUT1} = 1.575V$ , $V_{OUT2} = 1.8V$	22
Typical Operation $V_{IN} = 3.6V$ , $V_{OUT1} = 1.8V$ , $V_{OUT2} = 3.0V$	23
Typical Operation $V_{IN} = 3.6V$ , $V_{OUT1} = 1.2V$ , $V_{OUT2} = 1.2V$	24
$V_{OUT1}$ Change With Easy Scale	25
Dynamic Voltage Positioning	26
Soft Start	27
EasyScale Protocol Overview	28
EasyScale Protocol Without Acknowledge	29
EasyScale Protocol Including Acknowledge	30
EasyScale – Bit Coding	31
MODE/DATA PIN: Mode Selection	32
MODE/DATA Pin: Power Save Mode / Interface Communication	33
Typical Application Circuit 1.5V / 2.85V Adjustable Outputs	34, 35
Layout Diagram	36
PCB Layout	37

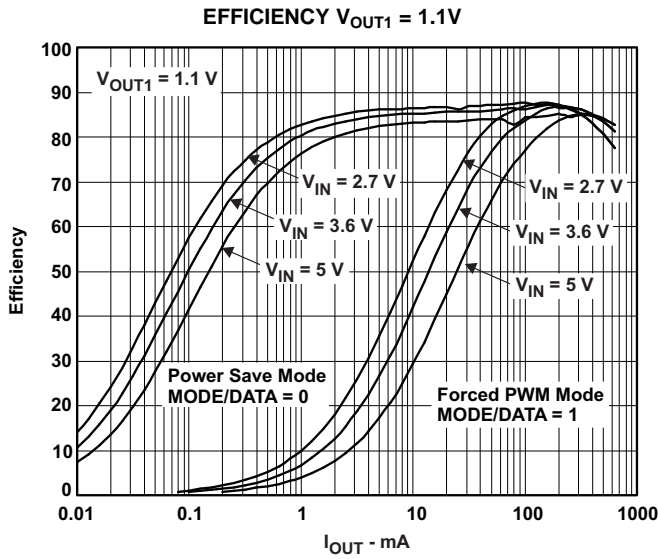


Figure 1.

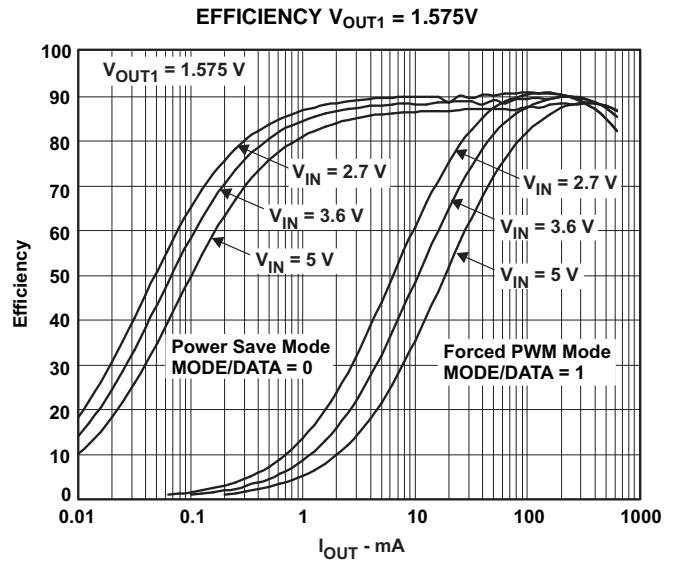


Figure 2.

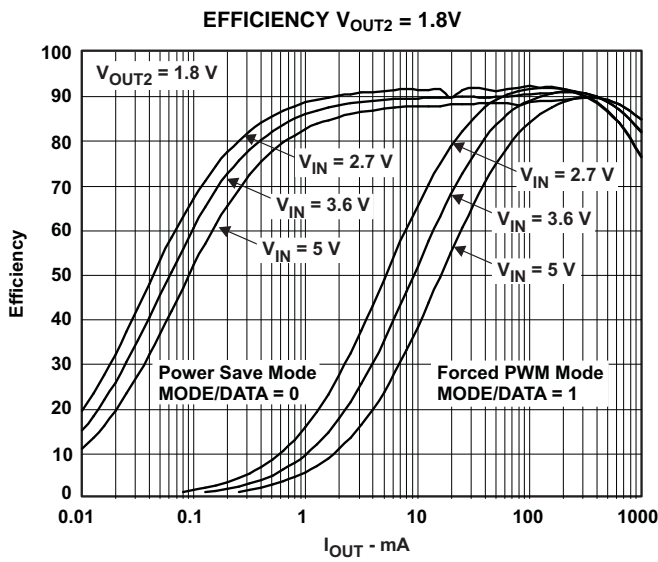


Figure 3.

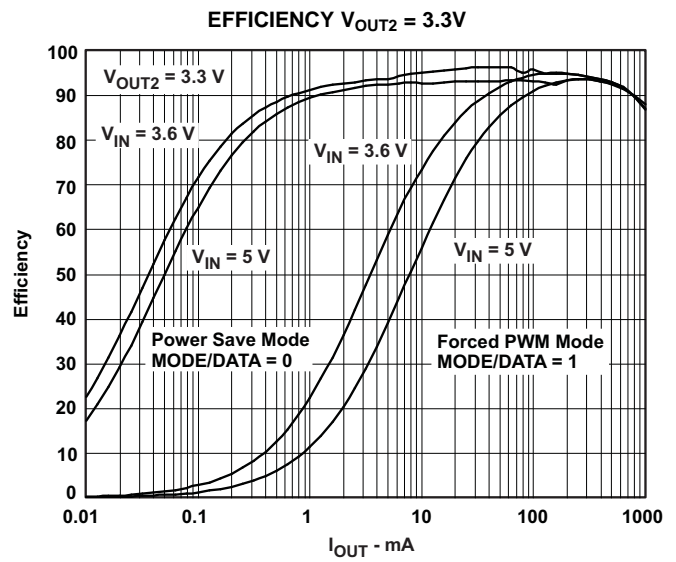


Figure 4.

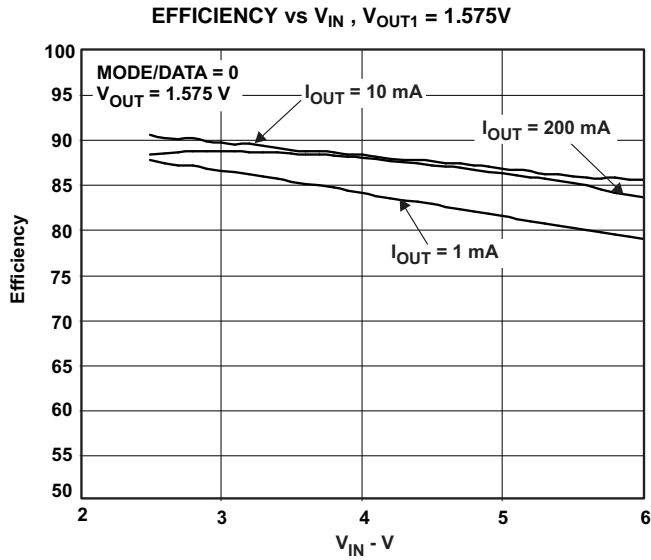


Figure 5.

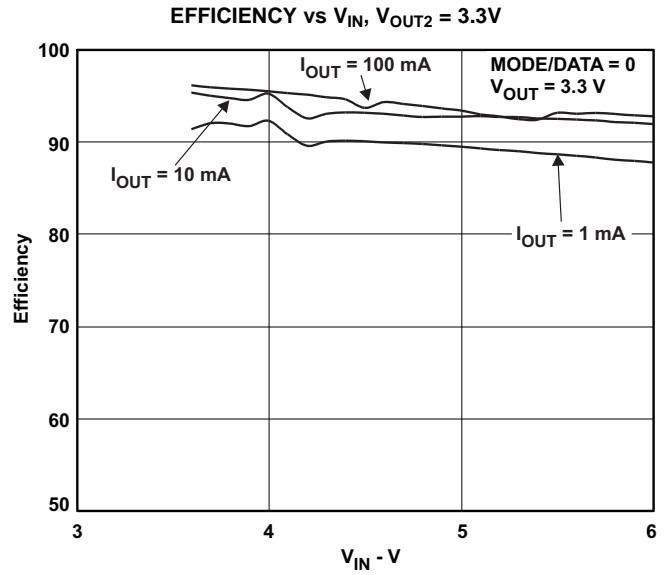


Figure 6.

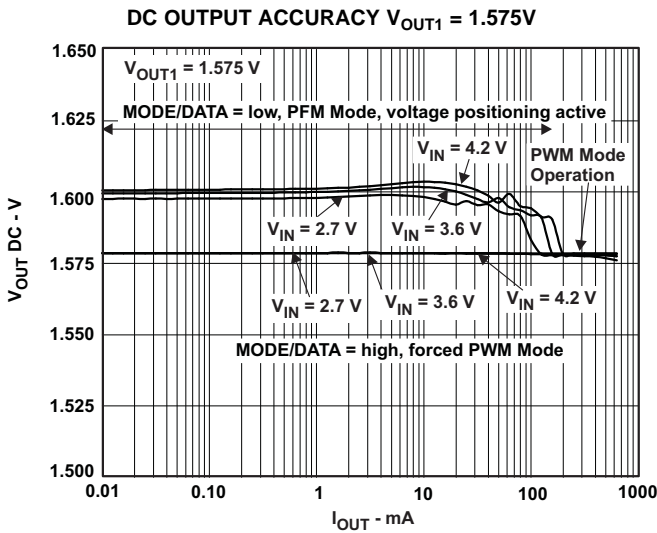


Figure 7.

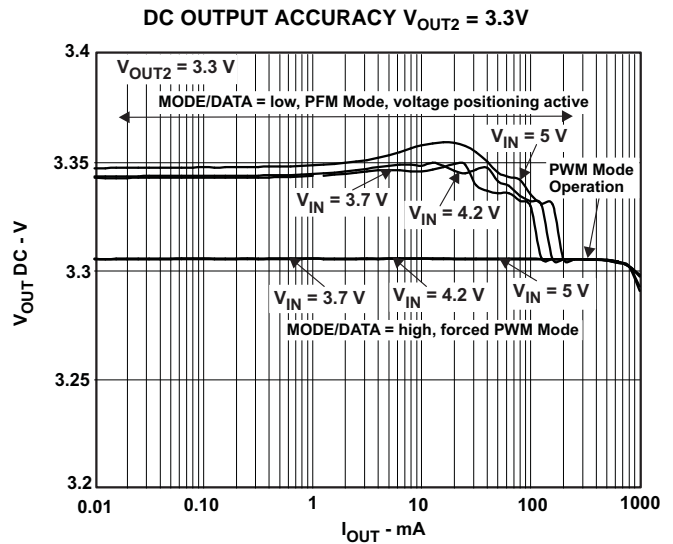


Figure 8.

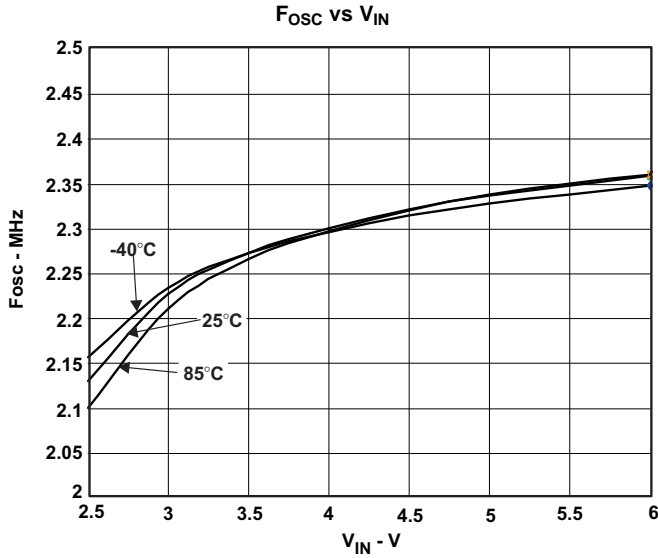


Figure 9.

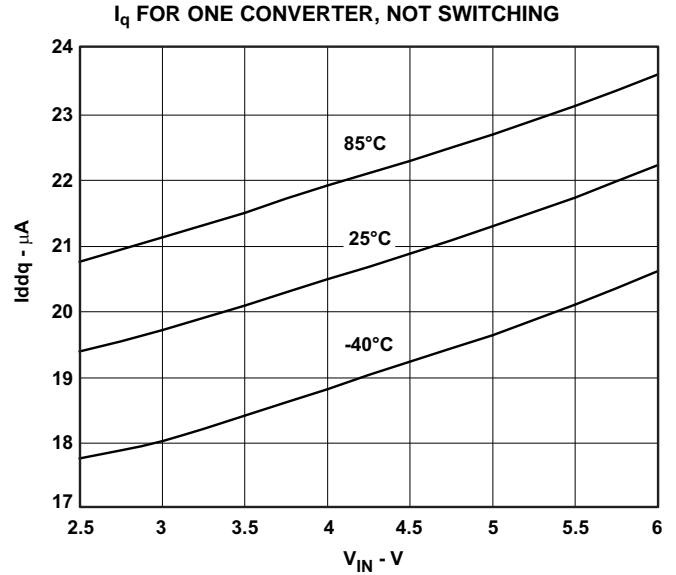


Figure 10.

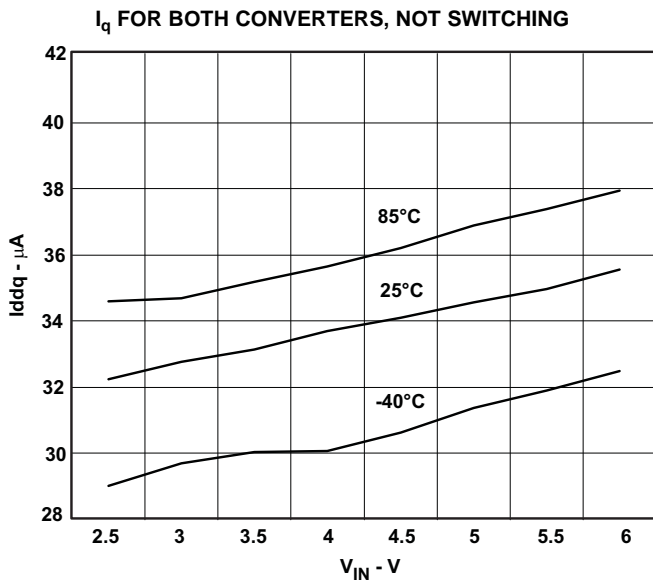


Figure 11.

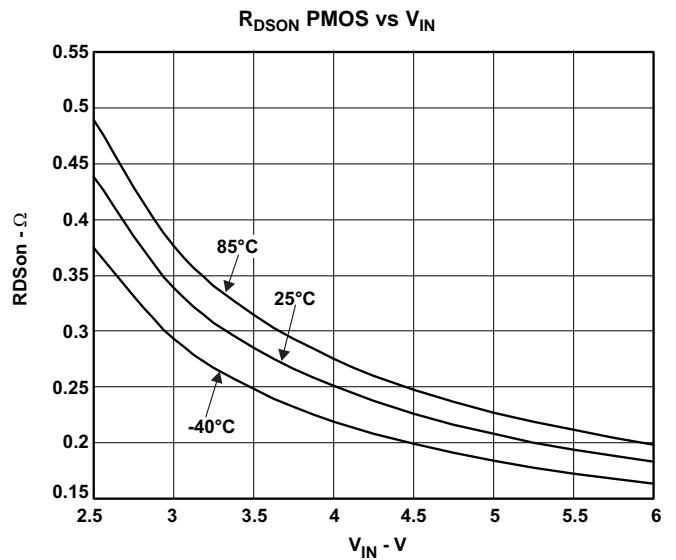


Figure 12.

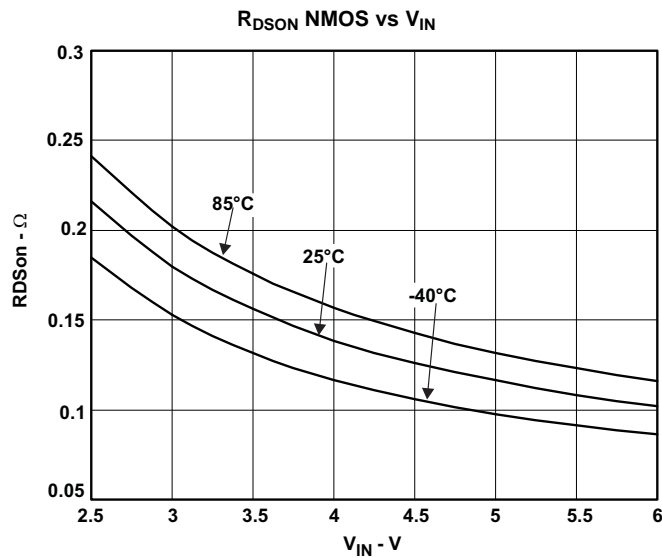


Figure 13.

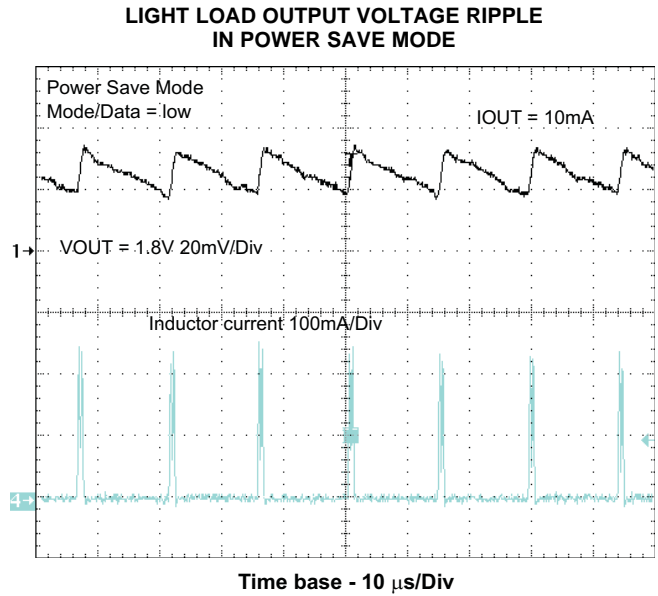


Figure 14.

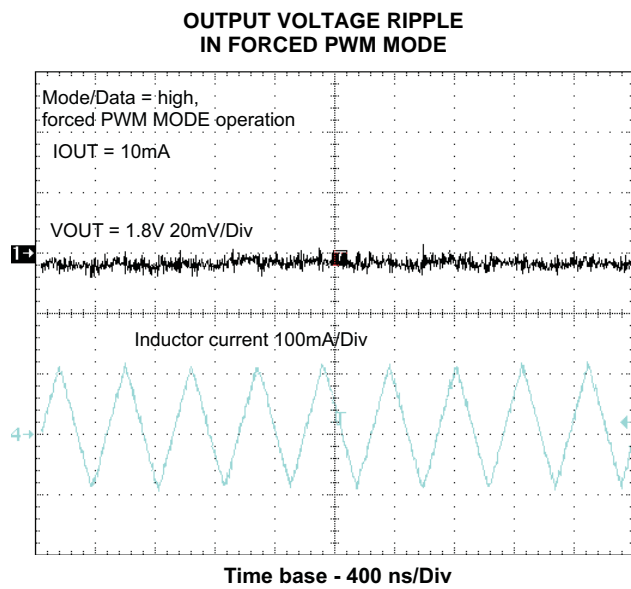


Figure 15.

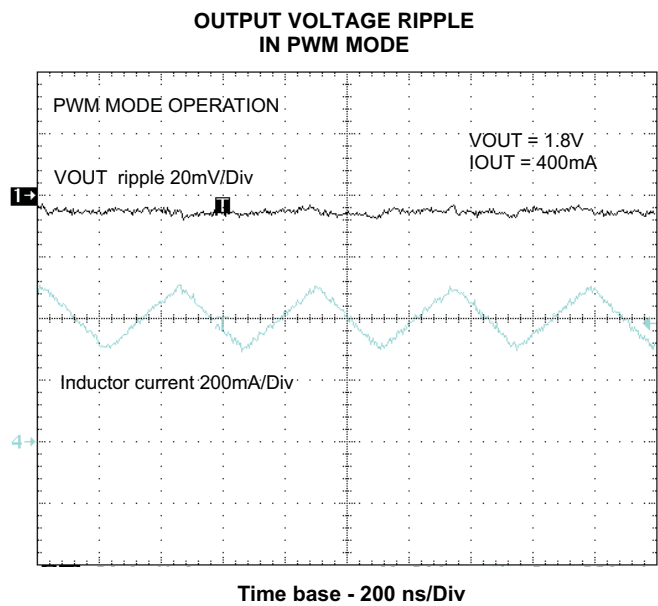
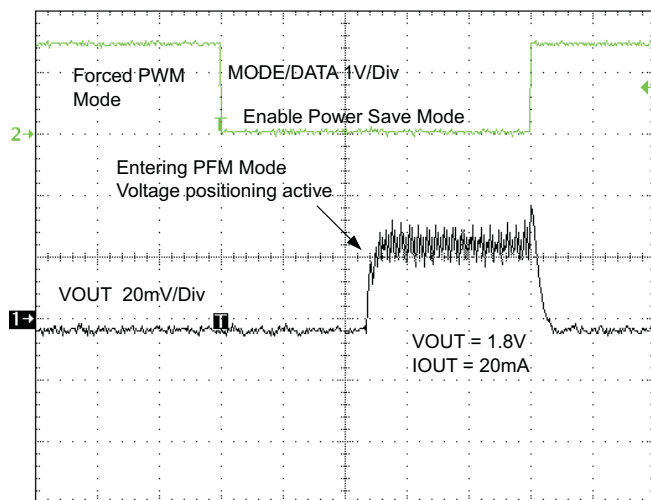


Figure 16.

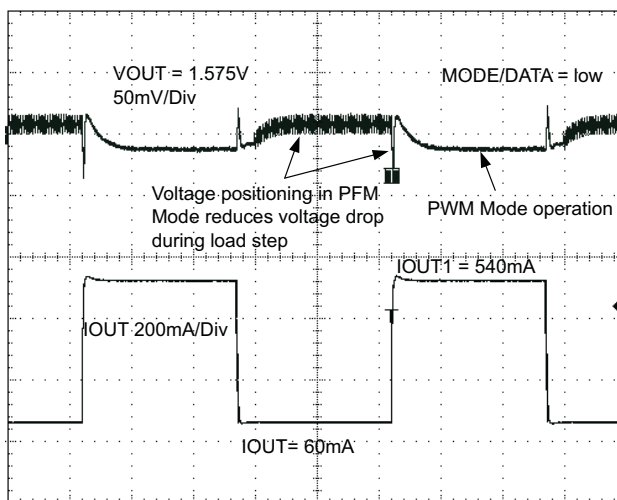
**FORCED PWM/PFM MODE TRANSITION**



Time base - 20  $\mu$ s/Div

Figure 17.

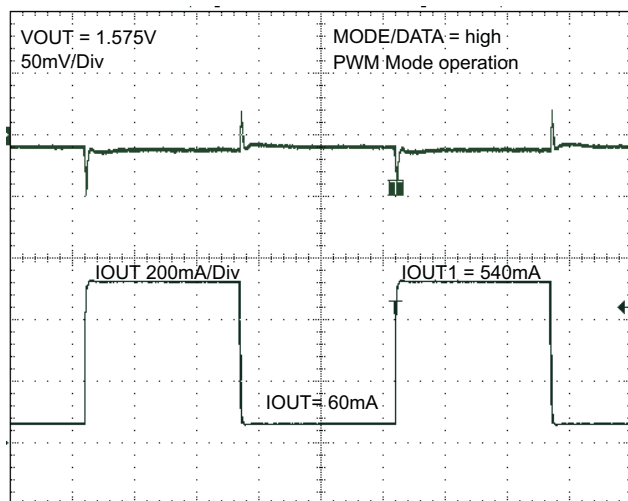
**LOAD TRANSIENT RESPONSE PFM/PWM**



Time base - 100  $\mu$ s/Div

Figure 18.

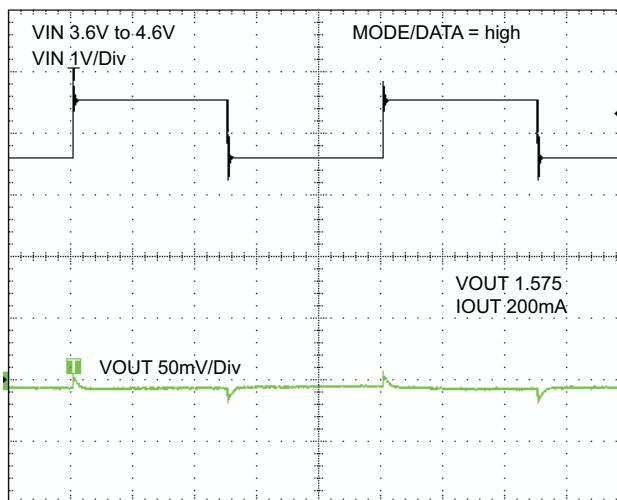
**LOAD TRANSIENT RESPONSE PWM OPERATION**



Time base - 100  $\mu$ s/Div

Figure 19.

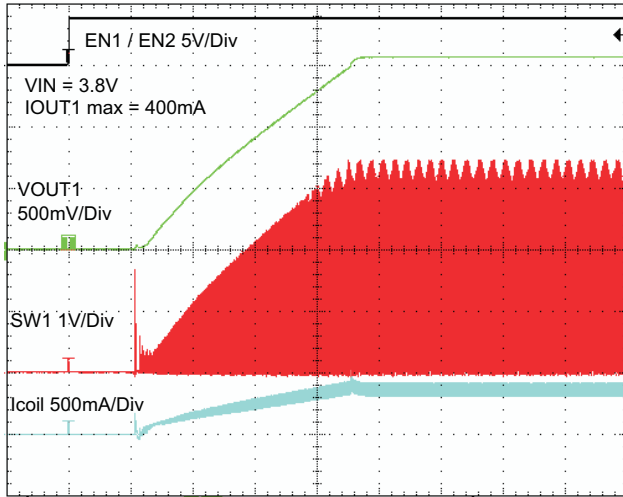
**LINE TRANSIENT RESPONSE**



Time base - 400  $\mu$ s/Div

Figure 20.

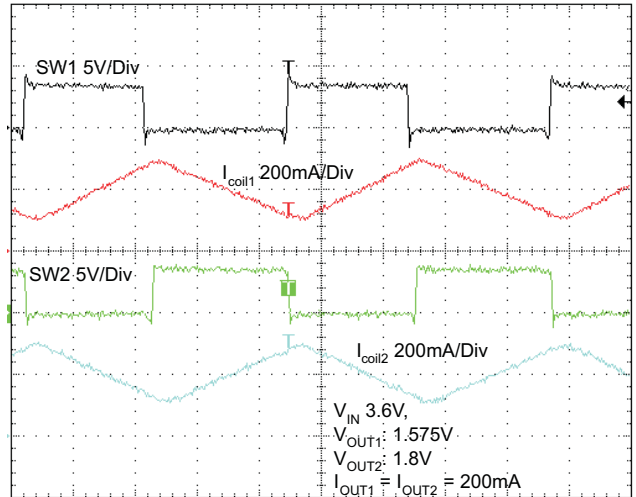
STARTUP TIMING ONE CONVERTER



Time base - 200  $\mu$ s/Div

Figure 21.

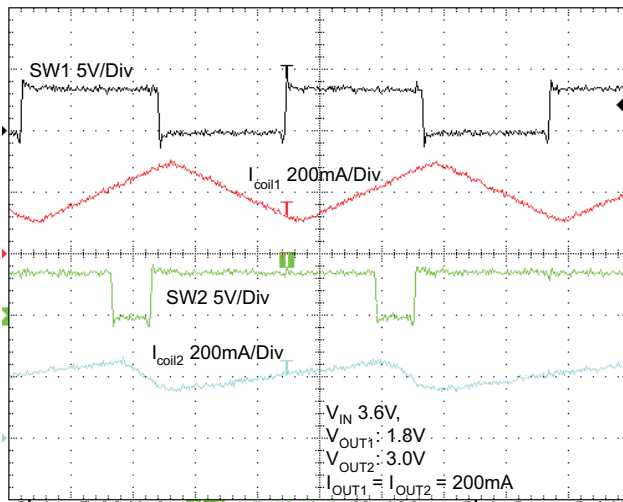
TYPICAL OPERATION  $V_{IN} = 3.6V$ ,  
 $V_{OUT1} = 1.575V$ ,  $V_{OUT2} = 1.8V$



Time base - 100 ns/Div

Figure 22.

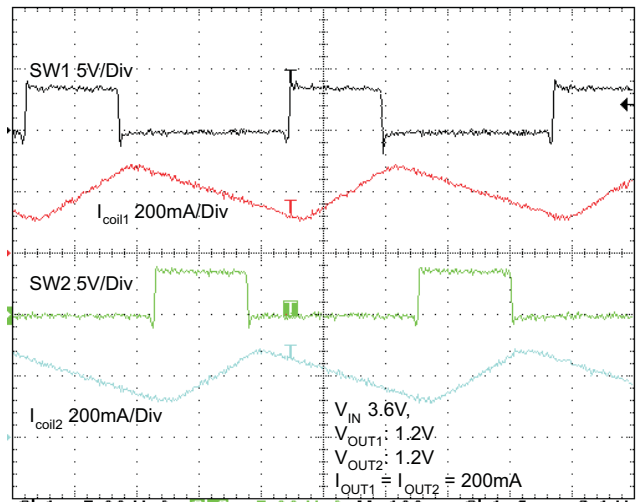
TYPICAL OPERATION  $V_{IN} = 3.6V$ ,  
 $V_{OUT1} = 1.8V$ ,  $V_{OUT2} = 3.0V$



Time base - 100 ns/Div

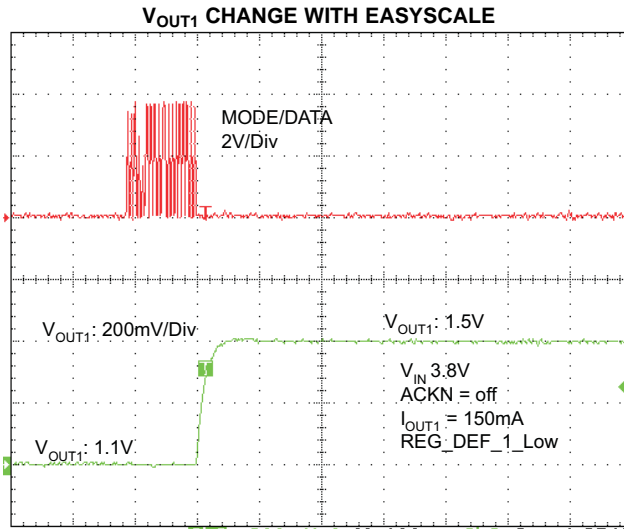
Figure 23.

TYPICAL OPERATION  $V_{IN} = 3.6V$ ,  
 $V_{OUT1} = 1.2V$ ,  $V_{OUT2} = 1.2V$



Time base - 100 ns/Div

Figure 24.



Time base - 100  $\mu$ s/Div

Figure 25.

## DETAILED DESCRIPTION

### OPERATION

The TPS62420 includes two synchronous step-down converters. The converters operate with typically 2.25-MHz fixed frequency pulse width modulation (PWM) at moderate to heavy load currents. If Power Save Mode is enabled, the converters automatically enter Power Save Mode at light load currents and operates in PFM (Pulse Frequency Modulation). During PWM operation the converters use a unique fast response voltage mode controller scheme with input voltage feed-forward to achieve good line and load regulation allowing the use of small ceramic input and output capacitors. At the beginning of each clock cycle initiated by the clock signal, the P-channel MOSFET switch is turned on and the inductor current ramps up until the comparator trips and the control logic turns off the switch.

Each converter integrates two current limits, one in the P-channel MOSFET and another one in the N-channel MOSFET. When the current in the P-channel MOSFET reaches its current limit, the P-channel MOSFET is turned off and the N-channel MOSFET is turned on. If the current in the N-channel MOSFET is above the N-MOS current limit threshold, the N-channel MOSFET remains on until the current drops below its current limit. The two DC-DC converters operate synchronized to each other. A 180° phase shift between converter 1 and converter 2 decreases the input RMS current.

#### Converter 1

In the adjustable output voltage version TPS62420 the converter 1 output voltage can be set via an external resistor network on PIN DEF\_1, which operates as an analog input. In this case, the output voltage can be set in the range of 0.6V to VIN V. The FB1 Pin must be directly connected to the converter 1 output voltage VOUT1. It feeds back the output voltage directly to the regulation loop.

The output voltage of converter 1 can also be changed by the EasyScale serial Interface. This makes the device very flexible for output voltage adjustment. In this case, the device uses an internal resistor network.

#### Converter 2

In the adjustable output voltage version TPS62420, the converter 2 output voltage is set by an external resistor divider connected to ADJ2 Pin and uses an external feed forward capacitor of 33pF.

It is also possible to change the output voltage of converter 2 via the EasyScale Interface. In this case, the ADJ2 Pin must be directly connected to converter 2 output voltage VOUT2. At TPS62420 no external resistor network may be connected.

### POWER SAVE MODE

The Power Save Mode is enabled with Mode/Data Pin set to 0 for both converters. If the load current of a converter decreases, this converter will enter Power Save Mode operation automatically. The transition to Power Save Mode of a converter is independent from the operating condition of the other converter. During Power Save Mode the converter operates with reduced switching frequency in PFM mode and with a minimum quiescent current to maintain high efficiency. The converter will position the output voltage in PFM mode to typically 1.01xVOUT. This voltage positioning feature minimizes voltage drops caused by a sudden load step.

In order to optimize the converter efficiency at light load the average inductor current is monitored. The device changes from PWM Mode to Power Save Mode, if in PWM mode the inductor current falls below a certain threshold. The typical output current threshold depends on VIN and can be calculated according to [Equation 1](#) for each converter.

**Equation 1:** Average output current threshold to enter PFM Mode

$$I_{\text{OUT\_PFM\_enter}} = \frac{V_{\text{IN\_DCDC}}}{32 \Omega} \quad (1)$$

**Equation 2:** Average output current threshold to leave PFM Mode

$$I_{\text{OUT\_PFM\_leave}} = \frac{V_{\text{IN\_DCDC}}}{24 \Omega} \quad (2)$$

In order to keep the output voltage ripple in Power Save Mode low, the output voltage is monitored with a single threshold comparator (skip comparator). As the output voltage falls below the skip comparator threshold (skip comp) of  $1.01 \times V_{OUTnominal}$ , the corresponding converter starts switching for a minimum time period of typically  $1\mu s$  and provides current to the load and the output capacitor. Therefore the output voltage increases and the device maintains switching until the output voltage trips the skip comparator threshold (skip comp) again. At this moment all switching activity is stopped and the quiescent current is reduced to minimum. The load is supplied by the output capacitor until the output voltage has dropped below the threshold again. Hereupon the device starts switching again. The Power Save Mode is exited and PWM Mode entered in case the output current exceeds the current  $I_{OUT\_PFM\_leave}$ , or if the output voltage falls below a second comparator threshold, called skip comparator low (Skip Comp Low) threshold. This skip comparator low threshold is set to  $-2\%$  below nominal  $V_{out}$ , and enables a fast transition from Power Save Mode to PWM Mode during a load step. In Power Save Mode the quiescent current is reduced typically to  $19\mu A$  for one converter and  $32\mu A$  for both converters active. This single skip comparator threshold method in Power Save Mode results in a very low output voltage ripple. The ripple depends on the comparator delay and the size of the output capacitor. Increasing output capacitor values minimizes the output ripple. The Power Save Mode can be disabled through the MODE/DATA pin set to high. Both converters then operate in fixed PWM mode. Power Save Mode Enable/Disable applies to both converters.

### Dynamic Voltage Positioning

This feature reduces the voltage under/overshoots at load steps from light to heavy load and vice versa. It is activated in Power Save Mode operation. It provides more headroom for both the voltage drop at a load step, and the voltage increase at a load throw-off. This improves load transient behavior.

At light loads, in which the converter operate in PFM Mode, the output voltage is regulated typically 1% higher than the nominal value. In case of a load transient from light load to heavy load, the output voltage drops until it reaches the skip comparator low threshold set to  $-2\%$  below the nominal value and enters PWM mode. During a load throw off from heavy load to light load, the voltage overshoot is also minimized due to active regulation turning on the N-channel switch.

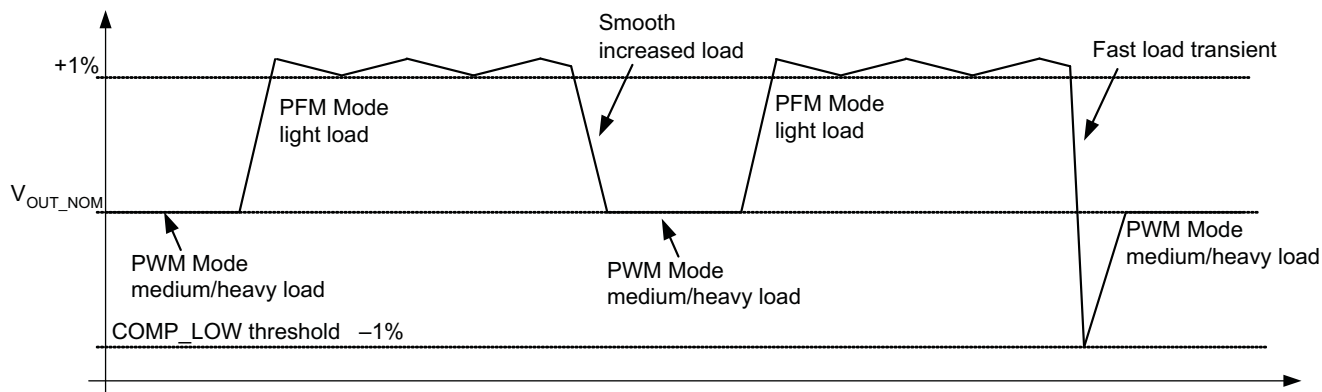
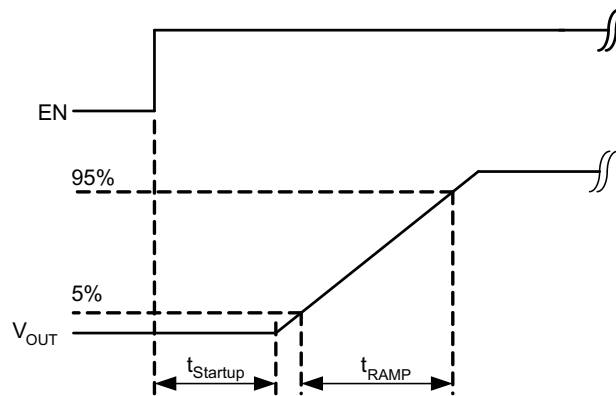


Figure 26. Dynamic Voltage Positioning

### Soft Start

The two converters have an internal soft start circuit that limits the inrush current during start-up. During soft start, the output voltage ramp up is controlled as shown in Figure 27.



**Figure 27. Soft Start**

### 100% Duty Cycle Low Dropout Operation

The converters offer a low input to output voltage difference while still maintaining operation with the use of the 100% duty cycle mode. In this mode the P-channel switch is constantly turned on. This is particularly useful in battery-powered applications to achieve longest operation time by taking full advantage of the whole battery voltage range; i.e., the minimum input voltage to maintain regulation depends on the load current and output voltage, and can be calculated as:

$$V_{in\_min} = V_{out\_max} + I_{out\_max} \times (R_{DSon\_max} + R_L) \quad (3)$$

With:

$I_{out\_max}$  = maximum output current plus inductor ripple current

$R_{DSon\_max}$  = maximum P-channel switch  $R_{DSon}$

$R_L$  = DC resistance of the inductor

$V_{out\_max}$  = nominal output voltage plus maximum output voltage tolerance

With decreasing load current, the device automatically switches into pulse skipping operation in which the power stage operates intermittently based on load demand. By running cycles periodically the switching losses are minimized and the device runs with a minimum quiescent current maintaining high efficiency.

### Under-Voltage Lockout

The under voltage lockout circuit prevents the device from malfunctioning at low input voltages and from excessive discharge of the battery and disables the converters. The under-voltage lockout threshold is typically 1.5V, max 2.35V. In case the default register values are overwritten by the Interface, the new values in the registers REG\_DEF\_1\_Low and REG\_DEF\_2 remain valid as long the supply voltage does not fall under the under-voltage lockout threshold, independent of whether the converters are disabled.

### MODE SELECTION

The MODE/DATA pin allows mode selection between forced PWM Mode and Power Save Mode for both converters. Furthermore, this pin is a multipurpose pin and provides (besides Mode selection) a one-pin interface to receive serial data from a host to set the output voltage. This is described in the section EasyScale Interface.

Connecting this pin to GND enables the automatic PWM and power save mode operation. The converters operate in fixed-frequency PWM mode at moderate to heavy loads and in the PFM mode during light loads, maintaining high efficiency over a wide load current range.

Pulling the MODE/DATA pin high forces both converters to operate constantly in the PWM mode even at light load currents. The advantage is the converters operate with a fixed frequency that allows simple filtering of the switching frequency for noise sensitive applications. In this mode, the efficiency is lower compared to the power save mode during light loads. For additional flexibility it is possible to switch from Power Save Mode to forced PWM mode during operation. This allows efficient power management by adjusting the operation of the converter to the specific system requirements.

In case the operation mode will be changed from forced PWM mode (MODE/DATA = high) to Power Save Mode Enable (MODE/DATA = 0) the Power Save Mode will be enabled after a delay time of typically  $t_{\text{timeout}}$ , which is a maximum of 520 $\mu$ s.

The forced PWM Mode operation is enabled immediately with Pin MODE/DATA set to 1.

## ENABLE

The device has for each converter a separate EN pin to start up each converter independently. If EN1, EN2 are set to high, the corresponding converter starts up with soft start as previously described.

Pulling EN1 and EN2 pin low forces the device into shutdown, with a shutdown quiescent current of typically 1.2 $\mu$ A. In this mode, the P and N-Channel MOSFETs are turned-off and the entire internal control circuitry is switched-off. For proper operation the EN1 and EN2 pins must be terminated and must not be left floating.

## DEF\_1 PIN FUNCTION

The DEF\_1 pin is dedicated to converter 1 and works as an analog input for adjustable output voltage setting. Connecting an external resistor network to this pin adjusts the default output voltage to any value starting from 0.6V to  $V_{\text{IN}}$ .

## 180° OUT OF PHASE OPERATION

In PWM Mode the converters operate with a 180° turn-on phase shift of the PMOS (high side) transistors. It prevents the high side switches of both converters to be turned on simultaneously, and therefore smooths the input current. This feature reduces the surge current drawn from the supply.

## SHORT-CIRCUIT PROTECTION

Both outputs are short-circuit protected with maximum output current =  $I_{\text{LIMF}}$ (P-MOS and N-MOS). Once the PMOS switch reaches its current limit, it will be turned off and the NMOS turned on. The PMOS only turns on again, once the current in the NMOS decreases below the NMOS current limit.

## THERMAL SHUTDOWN

As soon as the junction temperature,  $T_{\text{J}}$ , exceeds typically 150°C the device goes into thermal shutdown. In this mode, the P and N-Channel MOSFETs are turned-off. The device continues its operation when the junction temperature falls below the thermal shutdown hysteresis again.

## EasyScale™: One Pin Serial Interface for Dynamic Output Voltage Adjustment

### General

EasyScale is a simple but very flexible one pin interface to configure the output voltage of both DC/DC converters. The interface is based on a master – slave structure, where the master is typically a  $\mu$ Controller or Application processor. [Figure 28](#) and [Table 2](#) give an overview of the protocol. The protocol consists of a device specific address byte and a data byte. The device specific address byte is fixed to 4E hex. The data byte consists of five bit for information, two address bits and the RFA bit. RFA bit set to high indicates the Request For Acknowledge condition. The Acknowledge condition is only applied if the protocol was received correctly.

The advantage of EasyScale compared to other one-pin interfaces is that its bit detection is, to a large extent, independent from the bit transmission rate. It can automatically detect bit rates between 1.7kBit/sec and up to 160kBit/sec. Furthermore, the interface is shared with the Mode/Data Pin and requires therefore no additional pin.

### Protocol

All bits are transmitted MSB first and LSB last. [Figure 29](#) shows the protocol without acknowledge request (bit RFA = 0), [Figure 30](#) with acknowledge (bit RFA = 1) request.

Prior to both bytes, device address byte and data byte, a start condition needs to be applied. For this, the Mode/Data pin needs to be pulled high for at least  $t_{\text{Start}}$  before the bit transmission starts with the falling edge. In case the Mode/Data line was already at high level (forced PWM Mode selection) no start condition need be applied prior the device address byte.

The transmission of each byte needs to be closed with an End Of Stream condition for at least  $T_{EOS}$ .

### Addressable Registers

In TPS62420 two registers with a data content of 5 bits can be addressed to change the output voltage of both converters. With 5 bit data content, 32 different values for each register are available. [Table 1](#) shows the addressable registers if DEF\_1 pin acts as analog input with external resistors connected.

The available output voltages for converter 1 are shown in [Table 3](#), for converter 2 in [Table 4](#). To generate these output voltages, a precise internal resistor divider network is used, which makes external resistors unnecessary and results therefore in an higher output voltage accuracy and less board space.

The Interface is activated if at least one of the converters is enabled (EN1 or EN2 is high). After the Startup-time  $t_{start}$  (170 $\mu$ s) the interface is ready for data reception.

**Table 1. Addressable Registers for Adjustable Output Voltage Devices**

REGISTER	DESCRIPTION	A1	A0	D4	D3	D2	D1	D0
REG_DEF_1_High	Not available in TPS62420 adjustable version	0	1					
REG_DEF_1_Low	Converter 1 output voltage setting	0	0	TPS62420 see <a href="#">Table 3</a>				
REG_DEF_2	Converter 2 output voltage	1	0	TPS62420 see <a href="#">Table 4</a> , connect ADJ2 pin directly to VOUT <sub>2</sub>				
	Don't use	1	1					

### Bit Decoding

The bit detection is based on a PWM scheme, where the criterion is the relation between  $t_{LOW}$  and  $t_{HIGH}$ . It can be simplified to:

High Bit:  $t_{High} > t_{Low}$ , but with  $t_{High}$  at least  $2x t_{Low}$ , see [Figure 31](#)

Low Bit:  $t_{Low} > t_{High}$ , but with  $t_{Low}$  at least  $2x t_{High}$ , see [Figure 31](#)

The bit detection starts with a falling edge on the MODED/DATA pin and ends with the next falling edge. Depending on the relation between  $t_{Low}$  and  $t_{High}$  a 0 or 1 is detected.

### Acknowledge

The Acknowledge condition is only applied if:

- Acknowledge is requested by a set RFA bit
- The transmitted device address matches with the device address of the device
- 16 bits were received correctly

In this case, the device turns on the internal ACKN-MOSFET and pulls the MODE/DATA pin low for the time  $t_{ACKN}$ , which is max. 520 $\mu$ s. The Acknowledge condition is valid after an internal delay time  $t_{valACK}$ . This means the internal ACKN-MOSFET is turned on after  $t_{valACK}$ , when the last falling edge of the protocol was detected. The master controller keeps the line low during this time.

The master device can detect the acknowledge condition with it's input by releasing the MODE/DATA pin after  $t_{valACK}$  and read back a 0.

In case of an invalid device address or not correctly received protocol, no acknowledge condition will be applied, thus the internal MOSFET will not be turned on and the external pullup resistor pulls MODE/DATA pin high after  $t_{valACK}$ . The MODE/DATA pin can be used again after the acknowledge condition ends.

### NOTE

The acknowledge condition may only be requested in case the master device has an open drain output.

In case of a push pull output stage it is recommended to use a series resistor in the MODE/DATA line to limit the current to 500 $\mu$ A in case of an accidentally requested acknowledge to protect the internal ACKN-MOSFET.

### MODE Selection

Because of the MODE/DATA pin is used for two functions, interface and a MODE selection, the device needs to determine when it has to decode the bit stream or to change the operation mode.

The device enters forced PWM mode operation immediately whenever the MODE/DATA pin turns to high level. The device stays also in forced PWM mode during the whole time of a protocol reception.

With a falling edge on the MODE/DATA pin the device starts bit decoding. If the MODE/DATA pin stays low for at least  $t_{\text{timeout}}$  the device get's an internal timeout and Power Save Mode operation is enabled.

A protocol which is sent within this time will be ignored, because the falling edge for the Mode change will be first interpreted as start of the first bit. In this case it is recommended to send first the protocol and change at the end of the protocol to Power Save Mode.

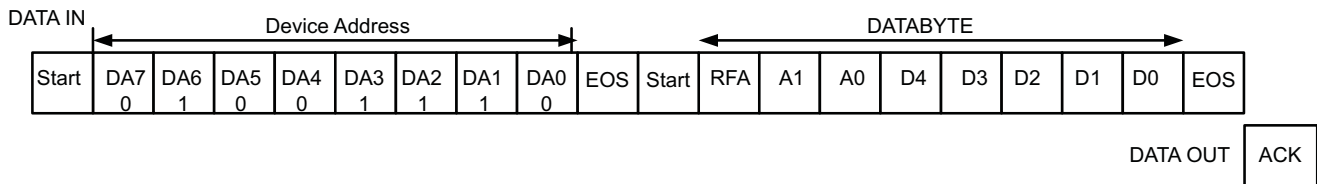
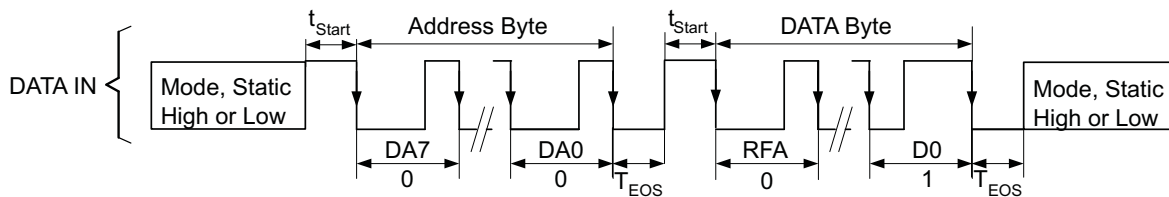


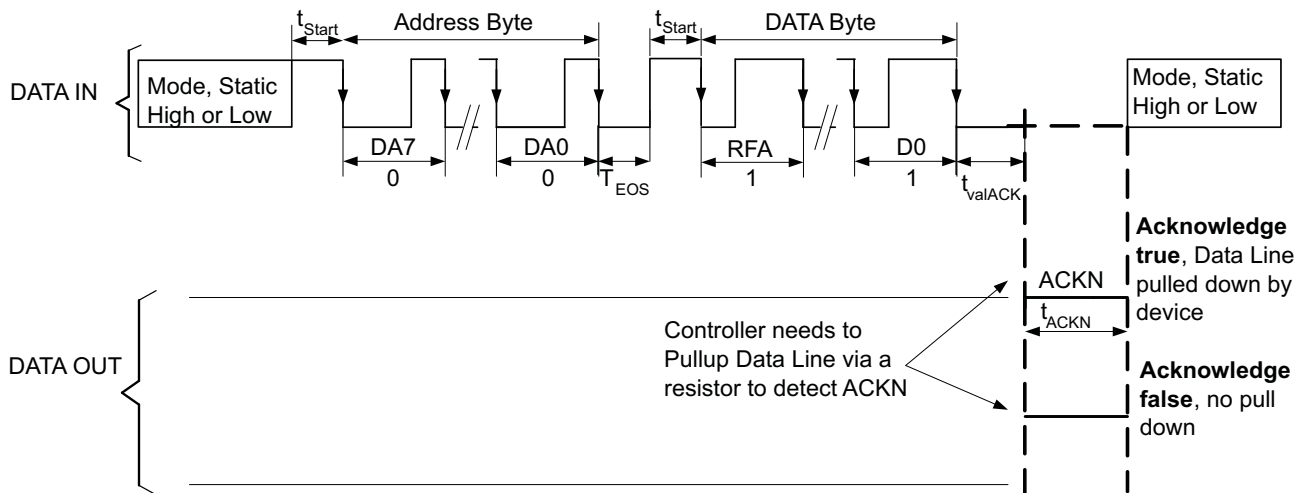
Figure 28. Easy Scale Protocol Overview

**Table 2. Easy Scale Bit Description**

BYTE	BIT NUMBER	NAME	TRANSMISSION DIRECTION	DESCRIPTION
Device Address Byte  4Ehex	7	DA7	IN	0 MSB device address
	6	DA6	IN	1
	5	DA5	IN	0
	4	DA4	IN	0
	3	DA3	IN	1
	2	DA2	IN	1
	1	DA1	IN	1
	0	DA0	IN	0 LSB device address
Databyte	7(MSB)	RFA	IN	Request For Acknowledge, if high, Acknowledge condition will applied by the device
	6	A1		Address Bit 1
	5	A0		Address Bit 0
	4	D4		Data Bit 4
	3	D3		Data Bit 3
	2	D2		Data Bit 2
	1	D1		Data Bit 1
	0(LSB)	D0		Data Bit 0
		ACK	OUT	Acknowledge condition active 0, this condition will only be applied in case RFA bit is set. Open drain output, Line needs to be pulled high by the host with a pullup resistor.  This feature can only be used if the master has an open drain output stage. In case of a push pull output stage Acknowledge condition may not be requested!



**Figure 29. Easy Scale Protocol Without Acknowledge**



**Figure 30. Easy Scale Protocol Including Acknowledge**

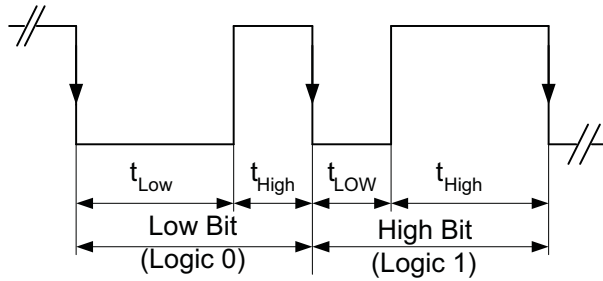


Figure 31. EasyScale – Bit Coding

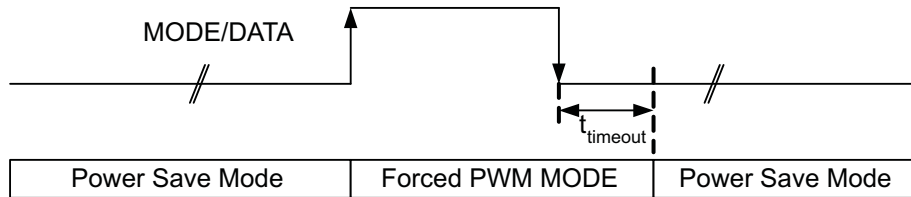


Figure 32. MODE/DATA PIN: Mode Selection

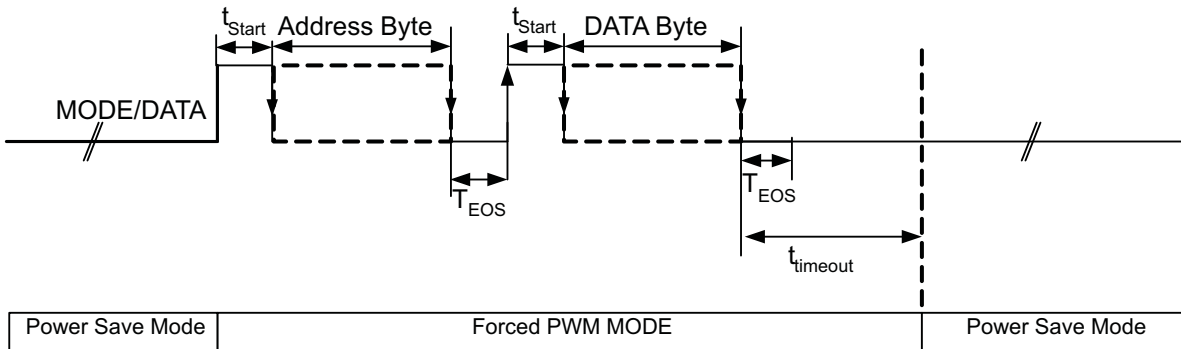


Figure 33. MODE/DATA Pin: Power Save Mode/Interface Communication

**Table 3. Selectable Output Voltages for Converter 1,  
With DEF1 Pin as Analog Input (TPS62420)**

	TPS62420 OUTPUT VOLTAGE [V] REGISTER REG_DEF_1_LOW	D4	D3	D2	D1	D0
<b>0</b>	<b>V<sub>OUT1</sub> Adjustable Output With Resistor Network on DEF_1 Pin</b>	<b>0</b>	<b>0</b>	<b>0</b>	<b>0</b>	<b>0</b>
	<b>0.6V with DEF_1 Pin connected to V<sub>OUT1</sub></b>					
1	0.825	0	0	0	0	1
2	0.85	0	0	0	1	0
3	0.875	0	0	0	1	1
4	0.9	0	0	1	0	0
5	0.925	0	0	1	0	1
6	0.95	0	0	1	1	0
7	0.975	0	0	1	1	1
8	1.0	0	1	0	0	0
9	1.025	0	1	0	0	1
10	1.050	0	1	0	1	0
11	1.075	0	1	0	1	1
12	1.1	0	1	1	0	0
13	1.125	0	1	1	0	1
14	1.150	0	1	1	1	0
15	1.175	0	1	1	1	1
16	1.2	1	0	0	0	0
17	1.225	1	0	0	0	1
18	1.25	1	0	0	1	0
19	1.275	1	0	0	1	1
20	1.3	1	0	1	0	0
21	1.325	1	0	1	0	1
22	1.350	1	0	1	1	0
23	1.375	1	0	1	1	1
24	1.4	1	1	0	0	0
25	1.425	1	1	0	0	1
26	1.450	1	1	0	1	0
27	1.475	1	1	0	1	1
28	1.5	1	1	1	0	0
29	1.525	1	1	1	0	1
30	1.55	1	1	1	1	0
31	1.575	1	1	1	1	1

**Table 4. Selectable Output Voltages for Converter 2,  
(ADJ2 Connected to  $V_{OUT}$ )**

	OUTPUT VOLTAGE [V] FOR REGISTER REG_DEF_2	D4	D3	D2	D1	D0
0	$V_{OUT2}$ Adjustable Output With Resistor Network on ADJ2	0	0	0	0	0
	0.6V with ADJ2 Pin connected to $V_{OUT2}$					
1	0.85	0	0	0	0	1
2	0.9	0	0	0	1	0
3	0.95	0	0	0	1	1
4	1.0	0	0	1	0	0
5	1.05	0	0	1	0	1
6	1.1	0	0	1	1	0
7	1.15	0	0	1	1	1
8	1.2	0	1	0	0	0
9	1.25	0	1	0	0	1
10	1.3	0	1	0	1	0
11	1.35	0	1	0	1	1
12	1.4	0	1	1	0	0
13	1.45	0	1	1	0	1
14	1.5	0	1	1	1	0
15	1.55	0	1	1	1	1
16	1.6	1	0	0	0	0
17	1.7	1	0	0	0	1
18	1.8	1	0	0	1	0
19	1.85	1	0	0	1	1
20	2.0	1	0	1	0	0
21	2.1	1	0	1	0	1
22	2.2	1	0	1	1	0
23	2.3	1	0	1	1	1
24	2.4	1	1	0	0	0
25	2.5	1	1	0	0	1
26	2.6	1	1	0	1	0
27	2.7	1	1	0	1	1
28	2.8	1	1	1	0	0
29	2.85	1	1	1	0	1
30	3.0	1	1	1	1	0
31	3.3	1	1	1	1	1

## APPLICATION INFORMATION

### OUTPUT VOLTAGE SETTING

#### Converter1 Adjustable Default Output Voltage Setting

The output voltage can be calculated to:

$$V_{OUT} = V_{REF} \times \left( 1 + \frac{R_{11}}{R_{12}} \right) \text{ with an internal reference voltage } V_{REF} \text{ typical } 0.6V \quad (4)$$

To keep the operating current to a minimum, it is recommended to select  $R_{12}$  within a range of 180k $\Omega$  to 360k $\Omega$ . The sum of  $R_{12}$  and  $R_{11}$  should not exceed ~1M $\Omega$ . For higher output voltages than 3.3V, it is recommended to choose lower values than 180k $\Omega$  for  $R_{12}$ . Route the DEF\_1 line away from noise sources, such as the inductor or the SW1 line. The FB1 line needs to be directly connected to the output capacitor. An internal feed forward capacitor is connected to this pin, therefore there is no need for an external feed forward capacitor for converter 1.

#### Converter 2

The default output voltage of converter 2 can be set by an external resistor network. For converter 2 the same recommendations apply as for converter 1. In addition to that, a 33pF external feed forward capacitor  $C_{ff2}$  for good load transient response must be used.

The output voltage can be calculated to:

$$V_{OUT} = V_{REF} \times \left( 1 + \frac{R_{21}}{R_{22}} \right) \text{ with an internal reference voltage } V_{REF} \text{ typical } 0.6V \quad (5)$$

Route the ADJ2 line away from noise sources, such as the inductor or the SW2 line. In case the interface is used for converter2, connect ADJ2 pin directly to  $V_{OUT2}$

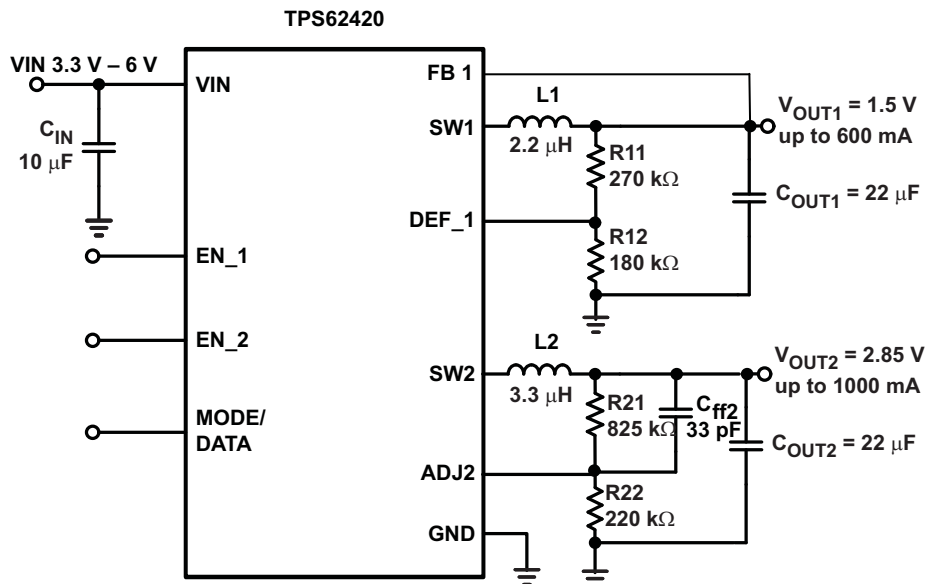


Figure 34. Typical Application Circuit 1.5V/2.85V Adjustable Outputs

### OUTPUT FILTER DESIGN (INDUCTOR AND OUTPUT CAPACITOR)

The device is optimized to operate with inductors of 2.2 $\mu$ H to 4.7 $\mu$ H and output capacitors of 10 $\mu$ F to 22 $\mu$ F.

For operation with a 2.2 $\mu$ H inductor, a 22 $\mu$ F capacitor is suggested.

## Inductor Selection

The selected inductor has to be rated for its DC resistance and saturation current. The DC resistance of the inductance will influence directly the efficiency of the converter. Therefore an inductor with lowest DC resistance should be selected for highest efficiency.

**Equation 6** calculates the maximum inductor current under static load conditions. The saturation current of the inductor should be rated higher than the maximum inductor current as calculated with **Equation 7**. This is recommended because during heavy load transient the inductor current will rise above the calculated value.

$$\Delta I_L = V_{out} \times \frac{1 - \frac{V_{out}}{V_{in}}}{L \times f} \quad (6)$$

$$I_{Lmax} = I_{outmax} + \frac{\Delta I_L}{2} \quad (7)$$

With:

f = Switching Frequency (2.25MHz typical)

L = Inductor Value

$\Delta I_L$  = Peak to Peak inductor ripple current

$I_{Lmax}$  = Maximum Inductor current

The highest inductor current will occur at maximum  $V_{in}$ .

Open core inductors have a soft saturation characteristic and they can usually handle higher inductor currents versus a comparable shielded inductor.

A more conservative approach is to select the inductor current rating just for the maximum switch current of the corresponding converter. It must be considered, that the core material from inductor to inductor differs and will have an impact on the efficiency especially at high switching frequencies.

Refer to **Table 5** and the typical applications for possible inductors.

**Table 5. List of Inductors**

DIMENSIONS [mm <sup>3</sup> ]	INDUCTOR TYPE	SUPPLIER
3.2x2.6x1.0	MIPW3226	FDK
3x3x0.9	LPS3010	Coilcraft
2.8x2.6x1.0	VLF3010	TDK
2.8x2.6x1.4	VLF3014	TDK
3x3x1.4	LPS3015	Coilcraft
3.9x3.9x1.7	LPS4018	Coilcraft

## Output Capacitor Selection

The advanced fast response voltage mode control scheme of the two converters allows the use of small ceramic capacitors with a typical value of 10 $\mu$ F, without having large output voltage under and overshoots during heavy load transients. Ceramic X7R/X5R capacitors having low ESR values result in lowest output voltage ripple and are therefore recommended.

If ceramic output capacitors are used, the capacitor RMS ripple current rating will always meet the application requirements. The RMS ripple current is calculated as:

$$I_{RMSout} = V_{out} \times \frac{1 - \frac{V_{out}}{V_{in}}}{L \times f} \times \frac{1}{2 \times \sqrt{3}} \quad (8)$$

At nominal load current the inductive converters operate in PWM mode and the overall output voltage ripple is the sum of the voltage spike caused by the output capacitor ESR plus the voltage ripple caused by charging and discharging the output capacitor:

$$\Delta V_{out} = V_{out} \times \frac{1 - \frac{V_{out}}{V_{in}}}{L \times f} \times \left( \frac{1}{8 \times C_{out} \times f} + ESR \right) \tag{9}$$

Where the highest output voltage ripple occurs at the highest input voltage  $V_{in}$ .

At light load currents the converters operate in Power Save Mode and the output voltage ripple is dependent on the output capacitor value. The output voltage ripple is set by the internal comparator delay and the external capacitor. Higher output capacitors like 22 $\mu$ F values minimize the voltage ripple in PFM Mode and tighten DC output accuracy in PFM Mode.

**Input Capacitor Selection**

Because of the nature of the buck converter having a pulsating input current, a low ESR input capacitor is required for best input voltage filtering and minimizing the interference with other circuits caused by high input voltage spikes. The converters need a ceramic input capacitor of 10 $\mu$ F. The input capacitor can be increased without any limit for better input voltage filtering.

**LAYOUT CONSIDERATIONS**

As for all switching power supplies, the layout is an important step in the design. Proper function of the device demands careful attention to PCB layout. Care must be taken in board layout to get the specified performance. If the layout is not carefully done, the regulator could show poor line and/or load regulation, stability issues as well as EMI problems. It is critical to provide a low inductance, impedance ground path. Therefore, use wide and short traces for the main current paths as indicated in bold in Figure 35.

The input capacitor should be placed as close as possible to the IC pins as well as the inductor and output capacitor.

Connect the GND Pin of the device to the PowerPAD of the PCB and use this Pad as a star point. For each converter use a common Power GND node and a different node for the Signal GND to minimize the effects of ground noise. Connect these ground nodes together to the PowerPAD (star point) underneath the IC. Keep the common path to the GND PIN, which returns the small signal components and the high current of the output capacitors as short as possible to avoid ground noise. The output voltage sense lines (FB 1, ADJ2, DEF\_1) should be connected right to the output capacitor and routed away from noisy components and traces (e.g., SW line). If the EasyScale interface is operated with high transmission rates, the MODE/DATA trace must be routed away from the ADJ2 line to avoid capacitive coupling into the ADJ2 pin. A GND guard ring between the MODE/DATA pin and ADJ2 pin avoids potential noise coupling.

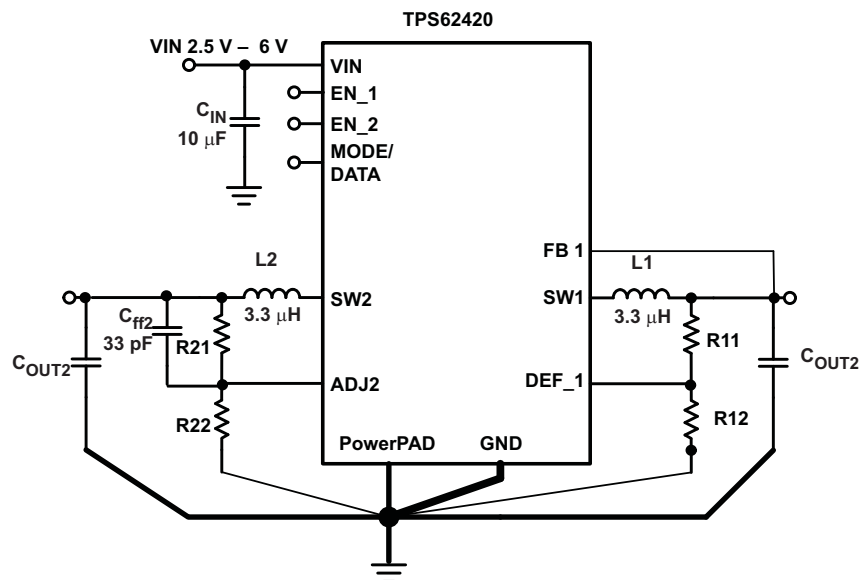


Figure 35. Layout Diagram

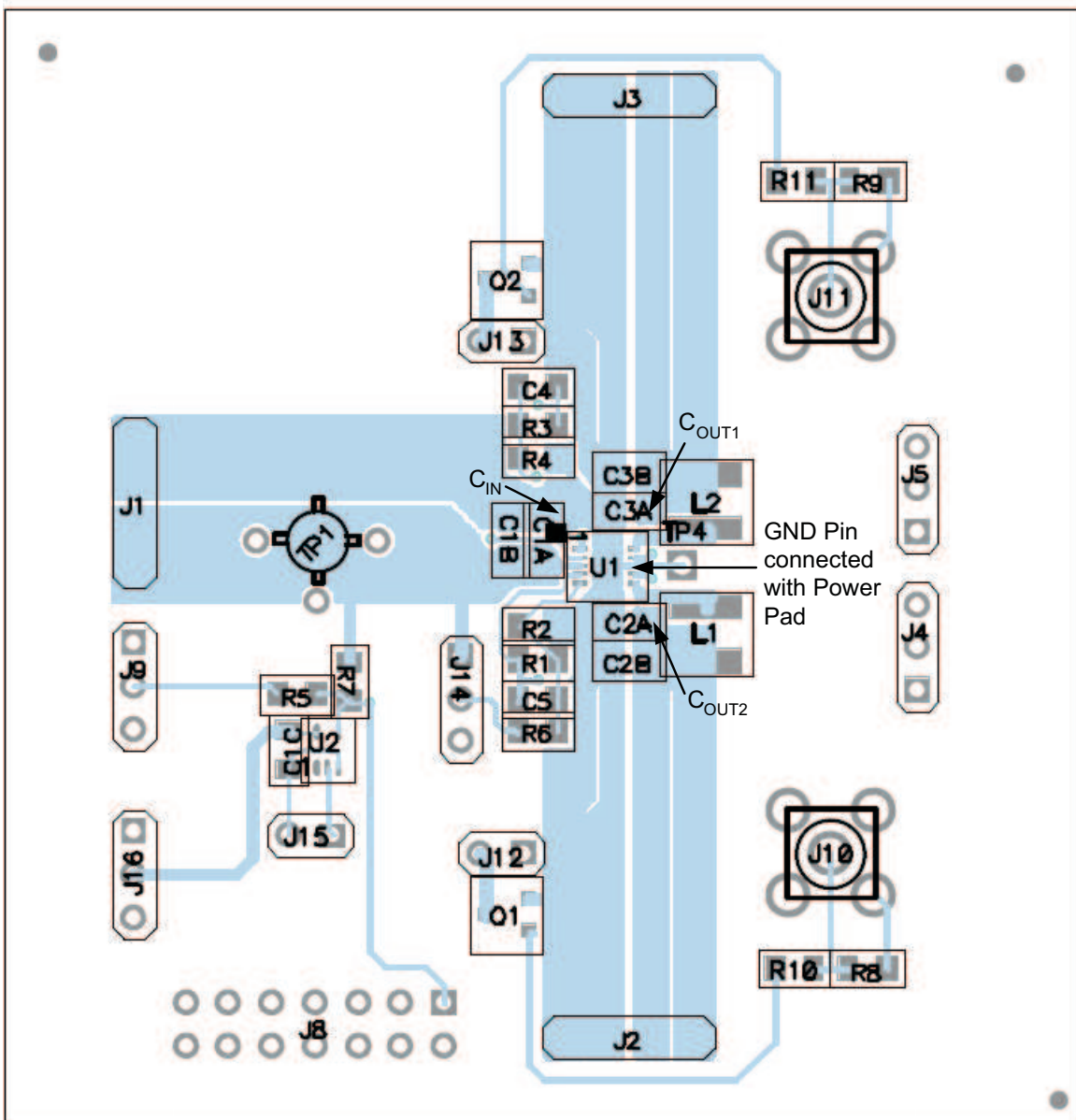


Figure 36. PCB Layout

**PACKAGING INFORMATION**

Orderable Device	Status <sup>(1)</sup>	Package Type	Package Drawing	Pins	Package Qty	Eco Plan <sup>(2)</sup>	Lead/Ball Finish	MSL Peak Temp <sup>(3)</sup>
TPS62420QDRCRQ1	ACTIVE	SON	DRC	10	3000	Green (RoHS & no Sb/Br)	CU NIPDAU	Level-3-260C-168 HR

<sup>(1)</sup> The marketing status values are defined as follows:

**ACTIVE:** Product device recommended for new designs.

**LIFEBUY:** TI has announced that the device will be discontinued, and a lifetime-buy period is in effect.

**NRND:** Not recommended for new designs. Device is in production to support existing customers, but TI does not recommend using this part in a new design.

**PREVIEW:** Device has been announced but is not in production. Samples may or may not be available.

**OBSOLETE:** TI has discontinued the production of the device.

<sup>(2)</sup> Eco Plan - The planned eco-friendly classification: Pb-Free (RoHS), Pb-Free (RoHS Exempt), or Green (RoHS & no Sb/Br) - please check <http://www.ti.com/productcontent> for the latest availability information and additional product content details.

**TBD:** The Pb-Free/Green conversion plan has not been defined.

**Pb-Free (RoHS):** TI's terms "Lead-Free" or "Pb-Free" mean semiconductor products that are compatible with the current RoHS requirements for all 6 substances, including the requirement that lead not exceed 0.1% by weight in homogeneous materials. Where designed to be soldered at high temperatures, TI Pb-Free products are suitable for use in specified lead-free processes.

**Pb-Free (RoHS Exempt):** This component has a RoHS exemption for either 1) lead-based flip-chip solder bumps used between the die and package, or 2) lead-based die adhesive used between the die and leadframe. The component is otherwise considered Pb-Free (RoHS compatible) as defined above.

**Green (RoHS & no Sb/Br):** TI defines "Green" to mean Pb-Free (RoHS compatible), and free of Bromine (Br) and Antimony (Sb) based flame retardants (Br or Sb do not exceed 0.1% by weight in homogeneous material)

<sup>(3)</sup> MSL, Peak Temp. -- The Moisture Sensitivity Level rating according to the JEDEC industry standard classifications, and peak solder temperature.

**Important Information and Disclaimer:**The information provided on this page represents TI's knowledge and belief as of the date that it is provided. TI bases its knowledge and belief on information provided by third parties, and makes no representation or warranty as to the accuracy of such information. Efforts are underway to better integrate information from third parties. TI has taken and continues to take reasonable steps to provide representative and accurate information but may not have conducted destructive testing or chemical analysis on incoming materials and chemicals. TI and TI suppliers consider certain information to be proprietary, and thus CAS numbers and other limited information may not be available for release.

In no event shall TI's liability arising out of such information exceed the total purchase price of the TI part(s) at issue in this document sold by TI to Customer on an annual basis.

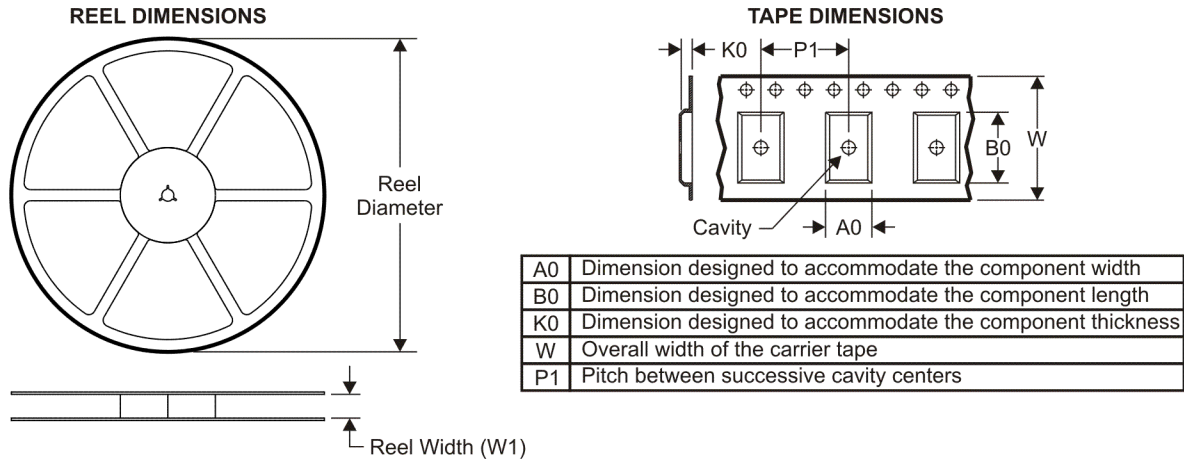
**OTHER QUALIFIED VERSIONS OF TPS62420-Q1 :**

- Catalog: [TPS62420](#)

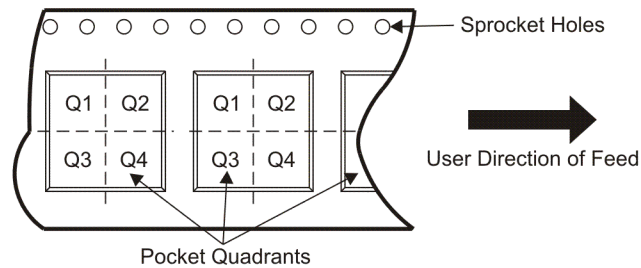
NOTE: Qualified Version Definitions:

- Catalog - TI's standard catalog product

## TAPE AND REEL INFORMATION



### QUADRANT ASSIGNMENTS FOR PIN 1 ORIENTATION IN TAPE



\*All dimensions are nominal

Device	Package Type	Package Drawing	Pins	SPQ	Reel Diameter (mm)	Reel Width W1 (mm)	A0 (mm)	B0 (mm)	K0 (mm)	P1 (mm)	W (mm)	Pin1 Quadrant
TPS62420QDRCRQ1	SON	DRC	10	3000	330.0	12.4	3.3	3.3	1.1	8.0	12.0	Q2

TAPE AND REEL BOX DIMENSIONS



\*All dimensions are nominal

Device	Package Type	Package Drawing	Pins	SPQ	Length (mm)	Width (mm)	Height (mm)
TPS62420QDRCRQ1	SON	DRC	10	3000	346.0	346.0	29.0



# THERMAL PAD MECHANICAL DATA

DRC (S-PVSON-N10)

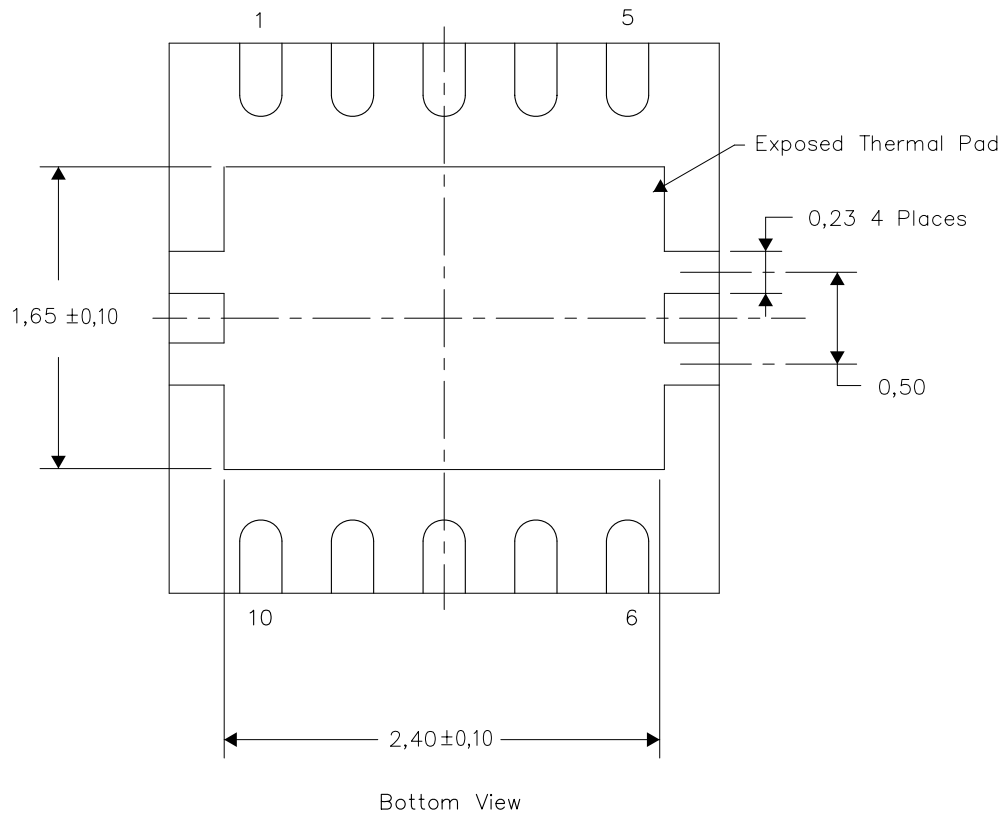
PLASTIC SMALL OUTLINE NO-LEAD

## THERMAL INFORMATION

This package incorporates an exposed thermal pad that is designed to be attached directly to an external heatsink. The thermal pad must be soldered directly to the printed circuit board (PCB). After soldering, the PCB can be used as a heatsink. In addition, through the use of thermal vias, the thermal pad can be attached directly to the appropriate copper plane shown in the electrical schematic for the device, or alternatively, can be attached to a special heatsink structure designed into the PCB. This design optimizes the heat transfer from the integrated circuit (IC).

For information on the Quad Flatpack No-Lead (QFN) package and its advantages, refer to Application Report, QFN/SON PCB Attachment, Texas Instruments Literature No. SLUA271. This document is available at [www.ti.com](http://www.ti.com).

The exposed thermal pad dimensions for this package are shown in the following illustration.



Exposed Thermal Pad Dimensions

4206565-3/M 06/11

NOTE: A. All linear dimensions are in millimeters



## IMPORTANT NOTICE

Texas Instruments Incorporated and its subsidiaries (TI) reserve the right to make corrections, modifications, enhancements, improvements, and other changes to its products and services at any time and to discontinue any product or service without notice. Customers should obtain the latest relevant information before placing orders and should verify that such information is current and complete. All products are sold subject to TI's terms and conditions of sale supplied at the time of order acknowledgment.

TI warrants performance of its hardware products to the specifications applicable at the time of sale in accordance with TI's standard warranty. Testing and other quality control techniques are used to the extent TI deems necessary to support this warranty. Except where mandated by government requirements, testing of all parameters of each product is not necessarily performed.

TI assumes no liability for applications assistance or customer product design. Customers are responsible for their products and applications using TI components. To minimize the risks associated with customer products and applications, customers should provide adequate design and operating safeguards.

TI does not warrant or represent that any license, either express or implied, is granted under any TI patent right, copyright, mask work right, or other TI intellectual property right relating to any combination, machine, or process in which TI products or services are used. Information published by TI regarding third-party products or services does not constitute a license from TI to use such products or services or a warranty or endorsement thereof. Use of such information may require a license from a third party under the patents or other intellectual property of the third party, or a license from TI under the patents or other intellectual property of TI.

Reproduction of TI information in TI data books or data sheets is permissible only if reproduction is without alteration and is accompanied by all associated warranties, conditions, limitations, and notices. Reproduction of this information with alteration is an unfair and deceptive business practice. TI is not responsible or liable for such altered documentation. Information of third parties may be subject to additional restrictions.

Resale of TI products or services with statements different from or beyond the parameters stated by TI for that product or service voids all express and any implied warranties for the associated TI product or service and is an unfair and deceptive business practice. TI is not responsible or liable for any such statements.

TI products are not authorized for use in safety-critical applications (such as life support) where a failure of the TI product would reasonably be expected to cause severe personal injury or death, unless officers of the parties have executed an agreement specifically governing such use. Buyers represent that they have all necessary expertise in the safety and regulatory ramifications of their applications, and acknowledge and agree that they are solely responsible for all legal, regulatory and safety-related requirements concerning their products and any use of TI products in such safety-critical applications, notwithstanding any applications-related information or support that may be provided by TI. Further, Buyers must fully indemnify TI and its representatives against any damages arising out of the use of TI products in such safety-critical applications.

TI products are neither designed nor intended for use in military/aerospace applications or environments unless the TI products are specifically designated by TI as military-grade or "enhanced plastic." Only products designated by TI as military-grade meet military specifications. Buyers acknowledge and agree that any such use of TI products which TI has not designated as military-grade is solely at the Buyer's risk, and that they are solely responsible for compliance with all legal and regulatory requirements in connection with such use.

TI products are neither designed nor intended for use in automotive applications or environments unless the specific TI products are designated by TI as compliant with ISO/TS 16949 requirements. Buyers acknowledge and agree that, if they use any non-designated products in automotive applications, TI will not be responsible for any failure to meet such requirements.

Following are URLs where you can obtain information on other Texas Instruments products and application solutions:

### Products

Audio	<a href="http://www.ti.com/audio">www.ti.com/audio</a>
Amplifiers	<a href="http://amplifier.ti.com">amplifier.ti.com</a>
Data Converters	<a href="http://dataconverter.ti.com">dataconverter.ti.com</a>
DLP® Products	<a href="http://www.dlp.com">www.dlp.com</a>
DSP	<a href="http://dsp.ti.com">dsp.ti.com</a>
Clocks and Timers	<a href="http://www.ti.com/clocks">www.ti.com/clocks</a>
Interface	<a href="http://interface.ti.com">interface.ti.com</a>
Logic	<a href="http://logic.ti.com">logic.ti.com</a>
Power Mgmt	<a href="http://power.ti.com">power.ti.com</a>
Microcontrollers	<a href="http://microcontroller.ti.com">microcontroller.ti.com</a>
RFID	<a href="http://www.ti-rfid.com">www.ti-rfid.com</a>
RF/IF and ZigBee® Solutions	<a href="http://www.ti.com/lprf">www.ti.com/lprf</a>

### Applications

Communications and Telecom	<a href="http://www.ti.com/communications">www.ti.com/communications</a>
Computers and Peripherals	<a href="http://www.ti.com/computers">www.ti.com/computers</a>
Consumer Electronics	<a href="http://www.ti.com/consumer-apps">www.ti.com/consumer-apps</a>
Energy and Lighting	<a href="http://www.ti.com/energy">www.ti.com/energy</a>
Industrial	<a href="http://www.ti.com/industrial">www.ti.com/industrial</a>
Medical	<a href="http://www.ti.com/medical">www.ti.com/medical</a>
Security	<a href="http://www.ti.com/security">www.ti.com/security</a>
Space, Avionics and Defense	<a href="http://www.ti.com/space-avionics-defense">www.ti.com/space-avionics-defense</a>
Transportation and Automotive	<a href="http://www.ti.com/automotive">www.ti.com/automotive</a>
Video and Imaging	<a href="http://www.ti.com/video">www.ti.com/video</a>
Wireless	<a href="http://www.ti.com/wireless-apps">www.ti.com/wireless-apps</a>

TI E2E Community Home Page

[e2e.ti.com](http://e2e.ti.com)

Mailing Address: Texas Instruments, Post Office Box 655303, Dallas, Texas 75265  
Copyright © 2011, Texas Instruments Incorporated